



CAL LIGHTING

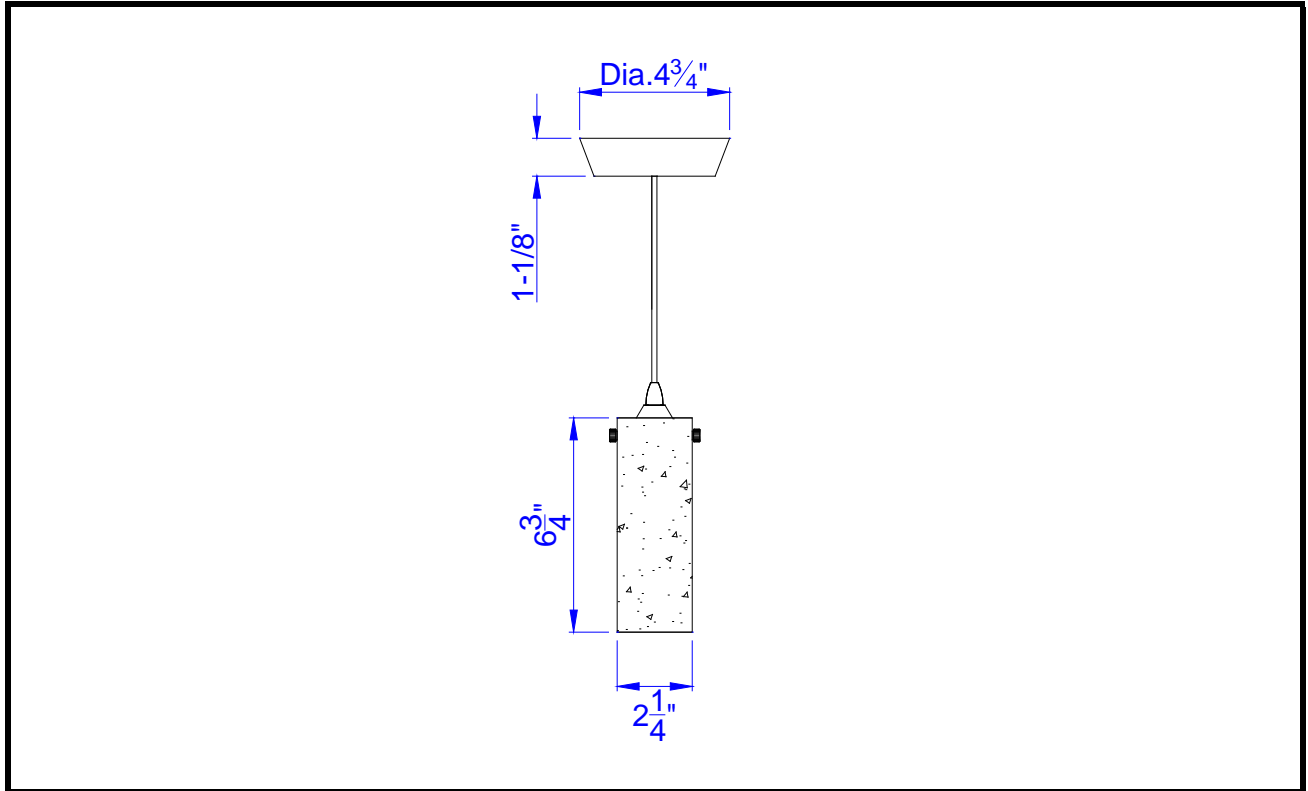
3625 E. Philadelphia St. Ontario CA. 91761 • Tel: 909.947.5200 • Fax:
909.947.5673 • www.calighting.com • service@calighting.com •
Specifications subject to change without notice

Type: _____

Project: _____

Catalog No.: _____

Lamp/Wattage: _____



- Model No. :** UPL-714
- Material :** Crystal Glass
- Cord :** 6.5' wire
- Voltage :** 120V
- Cord Finish :** BS (brushed steel)
- Dimming:** Non-dimmable
- Wattage:** 1.2W Max.
- Rated Life:** 30,000 Hours
- LED Color:** RD
- Lumen:** 105
- Kelvin:** 8000K
- CRI:** /
- Beam:** 120degree
- Warranty:** Three Years

Certificate : 