



CAL LIGHTING

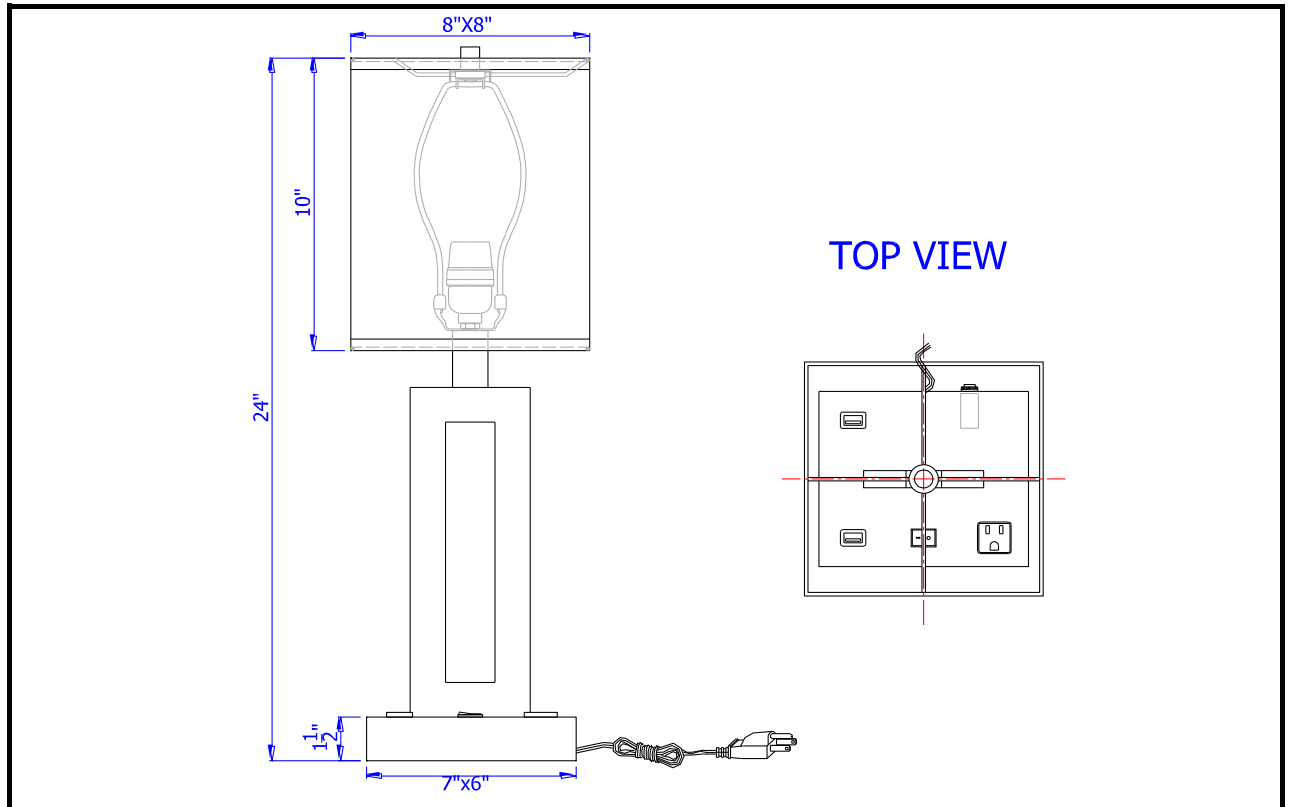
3625 E. Philadelphia St. Ontario CA. 91761. Tel: 909.947.5200. Fax: 909.947.5673. www.calighting.com. service@calighting.com.
Specifications subject to change without notice

Type: _____

Project: _____

Catalog No.: LA-8040DK

Lamp/Wattage: _____



- Model No:** LA-8040DK
Description: Sarnia metal desk lamp with 1 outlet and 2 USB charging ports
Material: Metal
Finish : Brushed Steel
Height: 24"
Reach: 8"
Base Width: 6"X7"
Wattage : 100W
Socket : Medium Base (E26)
Switch: Rocker Switch
Bulb: Incandescent, CFL
Power Outlet: 1
USB: 2
Wire Length: 8'
Wire Color: Silver
Shade No:
Material: Fabric
Shade size: 8"x8"x8"x8"x10"
Certificate : 