



# CAL LIGHTING

3625 E. Philadelphia St. Ontario CA. 91761. Tel: 909.947.5200. Fax: 909.947.5673. www.calighting.com. service@calighting.com.  
Specifications subject to change without notice

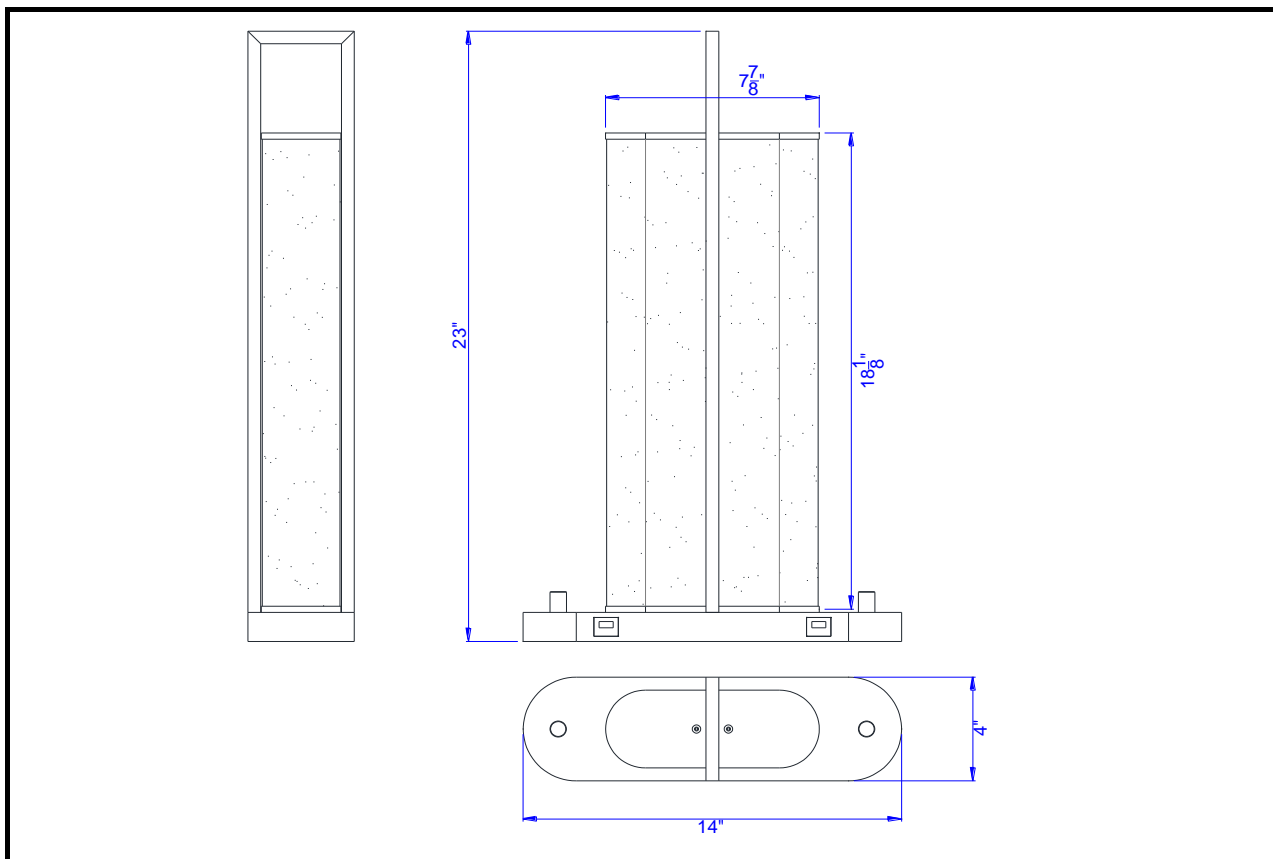
Type: \_\_\_\_\_

Project: \_\_\_\_\_

Catalog No.: \_\_\_\_\_

LA-8032DK-2

Lamp/Wattage: \_\_\_\_\_



- Model No:** LA-8032DK-2  
**Description:** Zamora Dual Led Metal Night Stand / Table Lamp With Dimmer Switch And 2 USB.  
**Material:** Metal  
**Finish :** Brushed Steel  
**Height:** 23"  
**Reach/Depth:** 8"  
**Base Width:** 4"x8"  
**Wattage :** 15W x 2  
**Socket :** LED  
**Color Temp:** 3000K  
**Lumen :** 2100LM  
**CRI :** 80  
**Switch:** On/off Dimmer  
**Bulb:** LED  
**USB Port:** 2  
**Wire Length:** 6'  
**Wire Color:** Silver  
**Certificate :** 