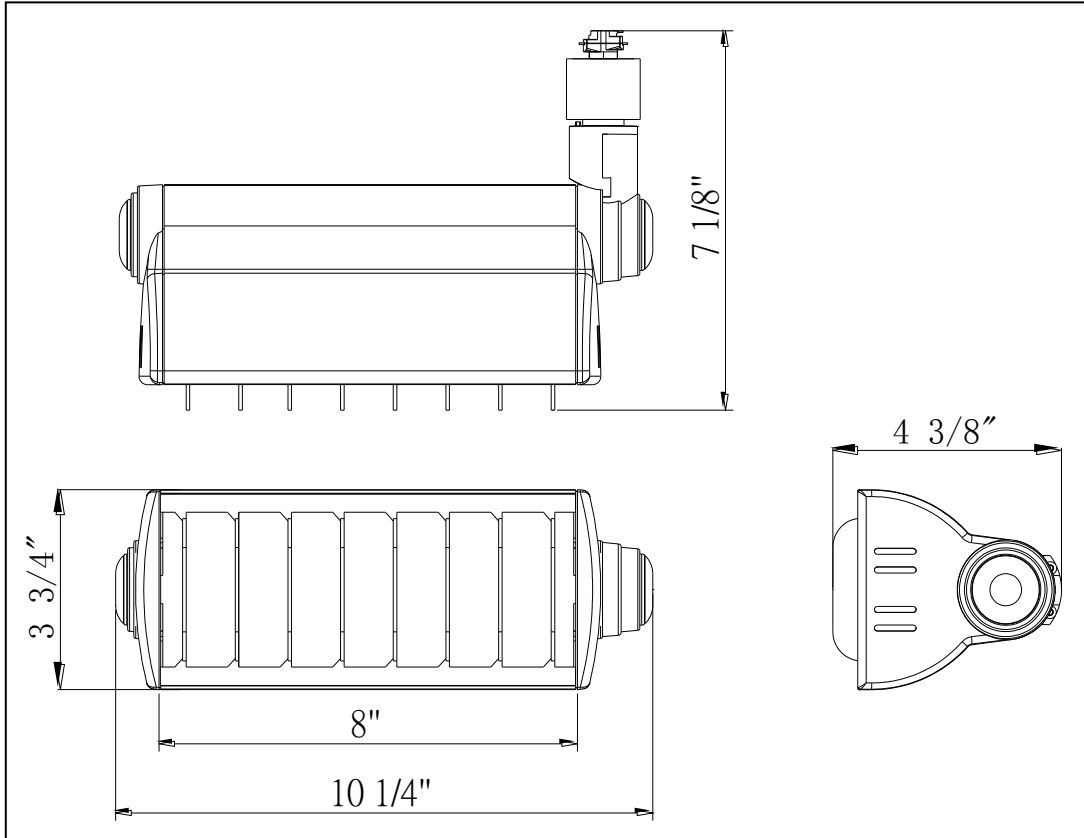




CAL LIGHTING

3625 E. Philadelphia St. Ontario CA. 91761 • Tel: 909.947.5200 • Fax:
909.947.5673 • www.calighting.com • service@calighting.com •
Specifications subject to change without notice

Type: _____
Project: _____
Catalog No.: _____
Lamp/Wattage: _____



Model No. : HT-955

Rotation : 355 degree

Capability : ± 90 degree from horizontal

Bulb : G24Q-3 (halogen)

Socket : PL

Voltage : 120V

Wattage : 26W Max.

Finish : WH (white)

Certificate :  US