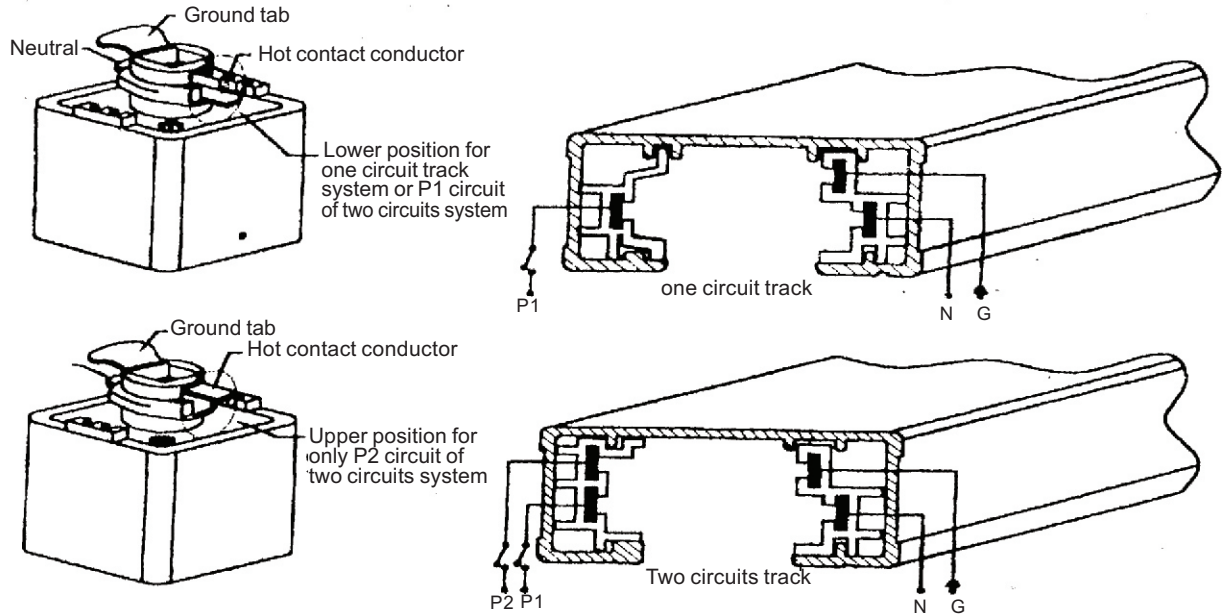


**CAUTION:** Before installing track head, make sure the hot contact conductor is on the right position.

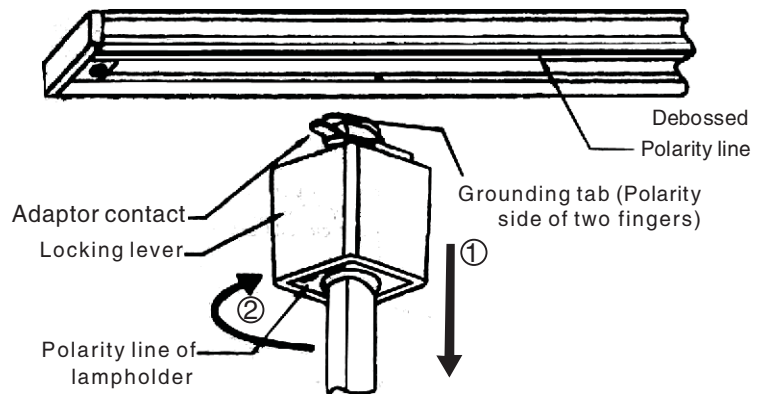
1. To use track head on one circuit track system, the hot contact conductor at the top of track head must always be in the lower position. To move the lever from the upper to the lower position, simply push lever down.
2. Two circuits track system is designed for use when two separately controlled circuits are needed on one section of track. Each circuit is rated for 2400 watts and will allow you to control two individual sets of fixtures.
3. To use track head on two circuits track system, the hot contact conductor at the top of track head should be in lower position for P1 circuit. For P2 circuit, move the lever from the lower to the upper position.



SAVE THESE INSTRUCTIONS

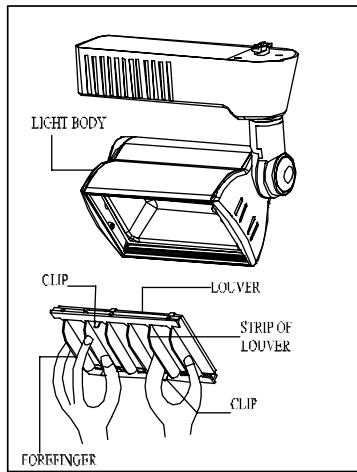
## IMPORTANT SAFETY INSTRUCTIONS FOR TRACK LIGHTING

1. Turn off switch at main power source before installing any track or fitting.
2. Before installing lampholder, make sure to refer to the instruction on the back side.
3. Pull down the locking lever and insert "Adaptor contact" into the slot in the track.
4. Rotate adaptor 1/4 turn 90° to locked position. **NOTE:** Polarity line of lampholder (Grounding tab, polarity side of two fingers) must point to track debossed polarity line so that the debossed polarity line of the track can be aligned with the polarity line (side) of adaptor.
5. To remove, depress the locking lever and turn 90°

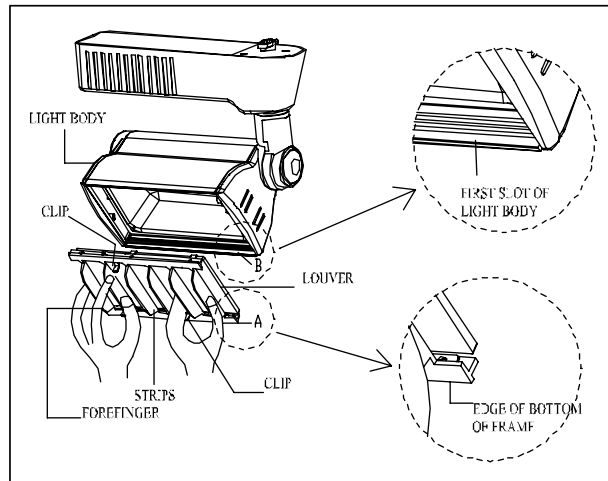


# INSTALLATION INSTRUCTION OF LOUVER

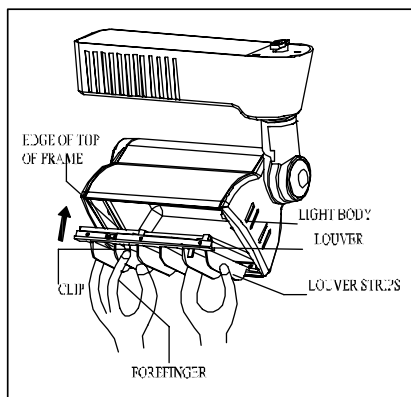
## HOW TO INSTALL :



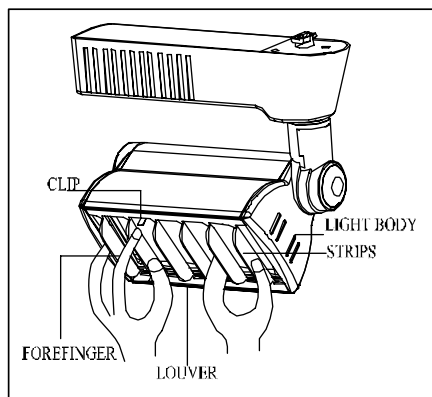
1. Hold the strips of louver by two hands like the picture shows.



2. Slide the edge of bottom of louver frame into the First slot of light body.

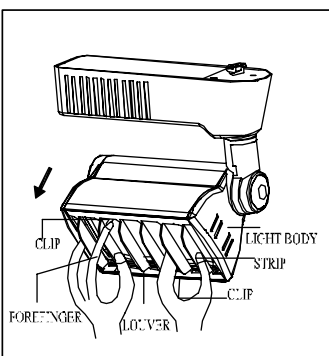


3. When the edge of bottom of frame slides into the First slot of light body, use the tip of forefinger to push down the clip and push the edge of top of frame into the slot of light body.

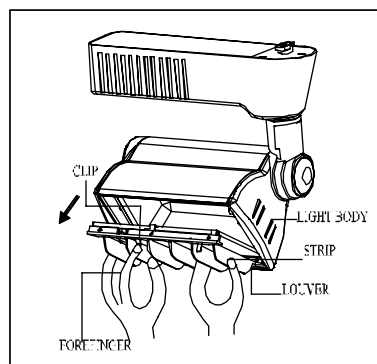


4. Loosen the clip and then the clip locks into slot of light. Make sure the louver is fully locked into the slot of light body by pulling the strips of louver by two hands. If the louver can be removed, try to install the louver again. **CAUTION:** If louver is not fully locked into the slot of light body, there is a risk of louver falling off the light.

## HOW TO REMOVE :



1. Hold the strips of louver by two hands like the picture shows.



2. Use the tip of forefinger of left hand to push down the clip and remove the louver from the light body by pulling.