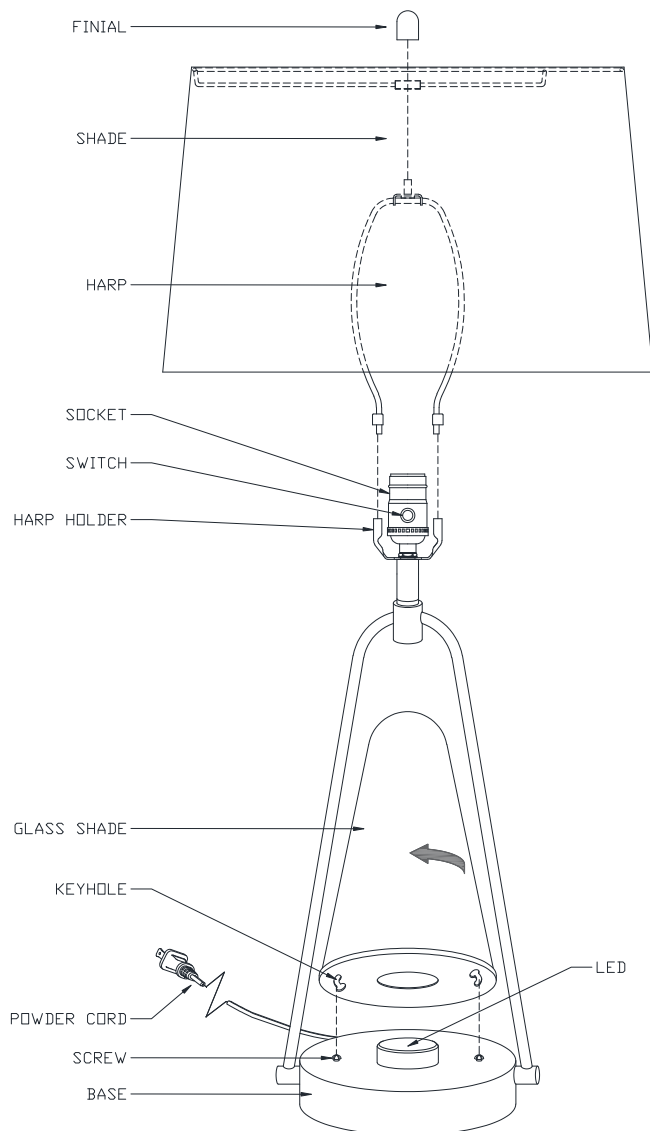


ASSEMBLY INSTRUCTIONS:

ITEM NO.: BO-3160TB

1. CAREFULLY UNPACK AND LAY OUT THE PARTS AS SHOWN IN ILLUSTRATION.
2. LINE UP KEYHOLES IN GLASS SHADE WITH SCREWS IN BASE THEN ROTATE GLASS SHADE AS SHOWN.
3. INSERT HARP (F) INTO SADDLE OF SOCKET SECTION (E).
4. PLACE SHADE ON TOP OF HARP AND SECURE WITH FINIAL
5. INSTALL A 100 WATT MAX. TYPE "A" BULB (NOT INCLUDED) INTO SOCKET.
6. PLUG POWER CORD INTO A WALL OUTLET AND TURN ON THE SWITCH.

Use 100 Wattage (Maximum) type
A bulb (Bulb not included), 2W
Built-in LED (Included)



IMPORTANT SAFETY INSTRUCTIONS:

THIS PORTABLE LAMP HAS A POLARIZED PLUG (ONE BLADE IS WIDER THAN THE OTHER) AS A SAFETY FEATURE TO REDUCE THE RISK OF ELECTRIC SHOCK. THIS PLUG WILL FIT IN A POLARIZED OUTLET ONLY ONE WAY. IF IT DOES NOT FIT FULLY IN THE OUTLET, REVERSE THE PLUG. IF IT STILL DOES NOT FIT, CONTACT A QUALIFIED ELECTRICIAN. NEVER USE WITH AN EXTENSION CORD UNLESS THE PLUG CAN BE FULLY AND EASILY INSERTED. DO NOT ATTEMPT TO ALTER THE PLUG.

SAVE THESE INSTRUCTIONS FOR FUTURE REFERENCE

SAVE THIS INSTRUCTURE FOR FUTURE USE