



# CAL LIGHTING

3625 E. Philadelphia St. Ontario CA. 91761. Tel: 909.947.5200. Fax: 909.947.5673. www.calighting.com. service@calighting.com.

Specifications subject to change without notice

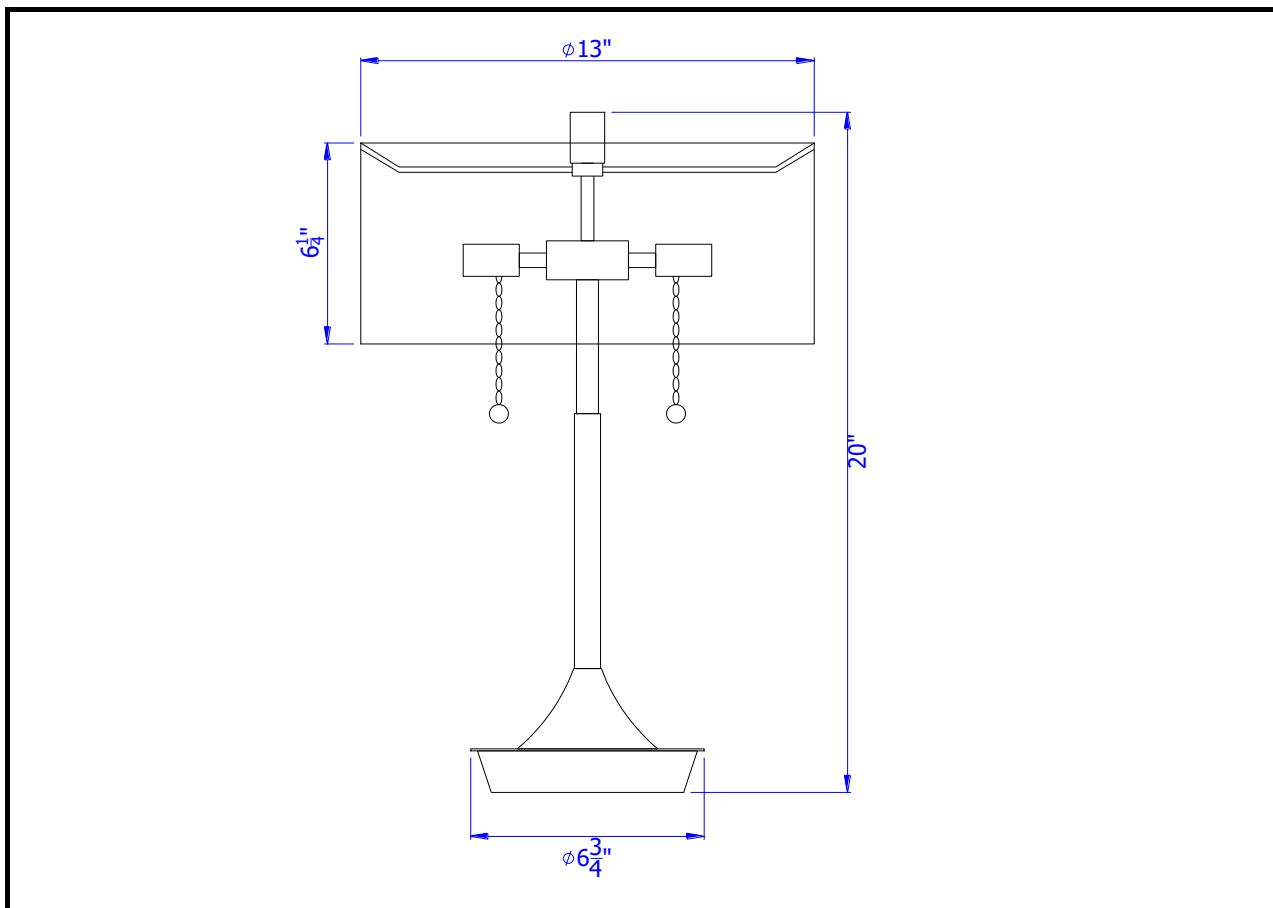
Type: \_\_\_\_\_

Project: \_\_\_\_\_

Catalog No.: \_\_\_\_\_

BO-3028TB

Lamp/Wattage: \_\_\_\_\_



- Model No:** BO-3028TB
- Description:** Kendal metal table lamp with pull chain switch, drum fabric shade
- Material:** Metal
- Finish :** Antique Brass
- Height:** 20"
- Reach/Depth:** 13"
- Base Width:** 6 3/4"
- Wattage :** 60W X 2
- Socket :** Medium Base (E26)
- Switch:** ON/OFF
- Bulb:** Incandescent, CFL
- Wire Length:** 6'
- Wire Color:** Gold
- Shade No:**
- Material:** Fabric
- Shade size:** 13"x13"x6 1/4"

Certificate :

