



# CAL LIGHTING

3625 E. Philadelphia St. Ontario CA. 91761. Tel: 909.947.5200. Fax: 909.947.5673. www.calighting.com. service@calighting.com.  
Specifications subject to change without notice

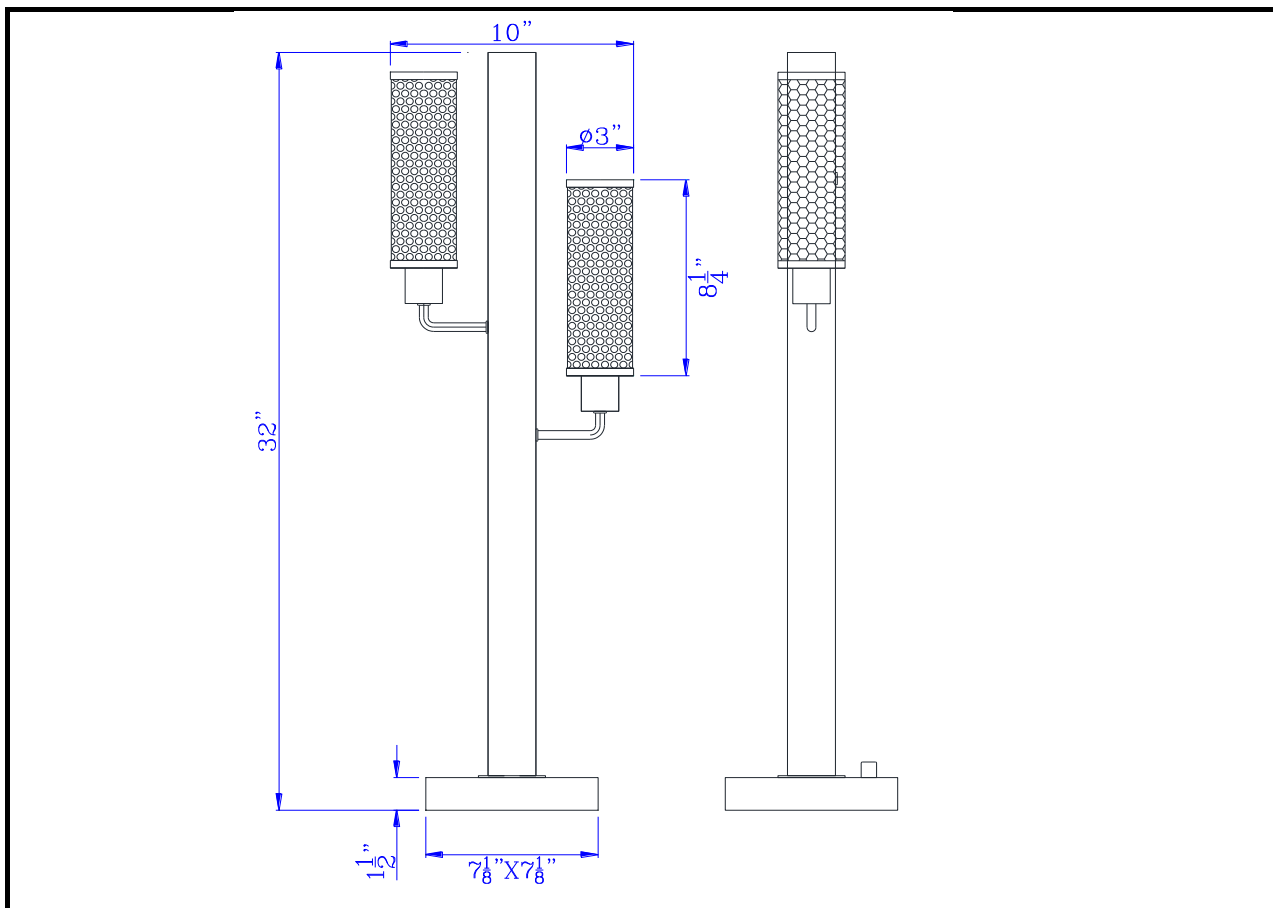
Type: \_\_\_\_\_

Project: \_\_\_\_\_

Catalog No.: \_\_\_\_\_

BO-3008TB

Lamp/Wattage: \_\_\_\_\_



- Model No:** BO-3008TB
- Description:** Lenox Lantern Style Pine Wood/Metal Table Lamp with Mesh Metal Shades
- Material:** Metal/Wood
- Finish :** Light Oak
- Height:** 32"
- Reach/Depth:** 7 1/8"
- Base Width:** 7 1/8" X 7 1/8"
- Wattage :** 60W X 2
- Socket :** Medium Base (E26)
- Switch:** 3-WAY
- Bulb:** Type T
- Wire Length:** 6'
- Wire Color:** Black
- Shade No:**
- Material:** Mesh
- Shade size:** 3"X3"X8 1/4"

**Certificate :**

