



# CAL LIGHTING

3625 E. Philadelphia St. Ontario CA. 91761. Tel: 909.947.5200. Fax: 909.947.5673. www.calighting.com. service@calighting.com.

Specifications subject to change without notice

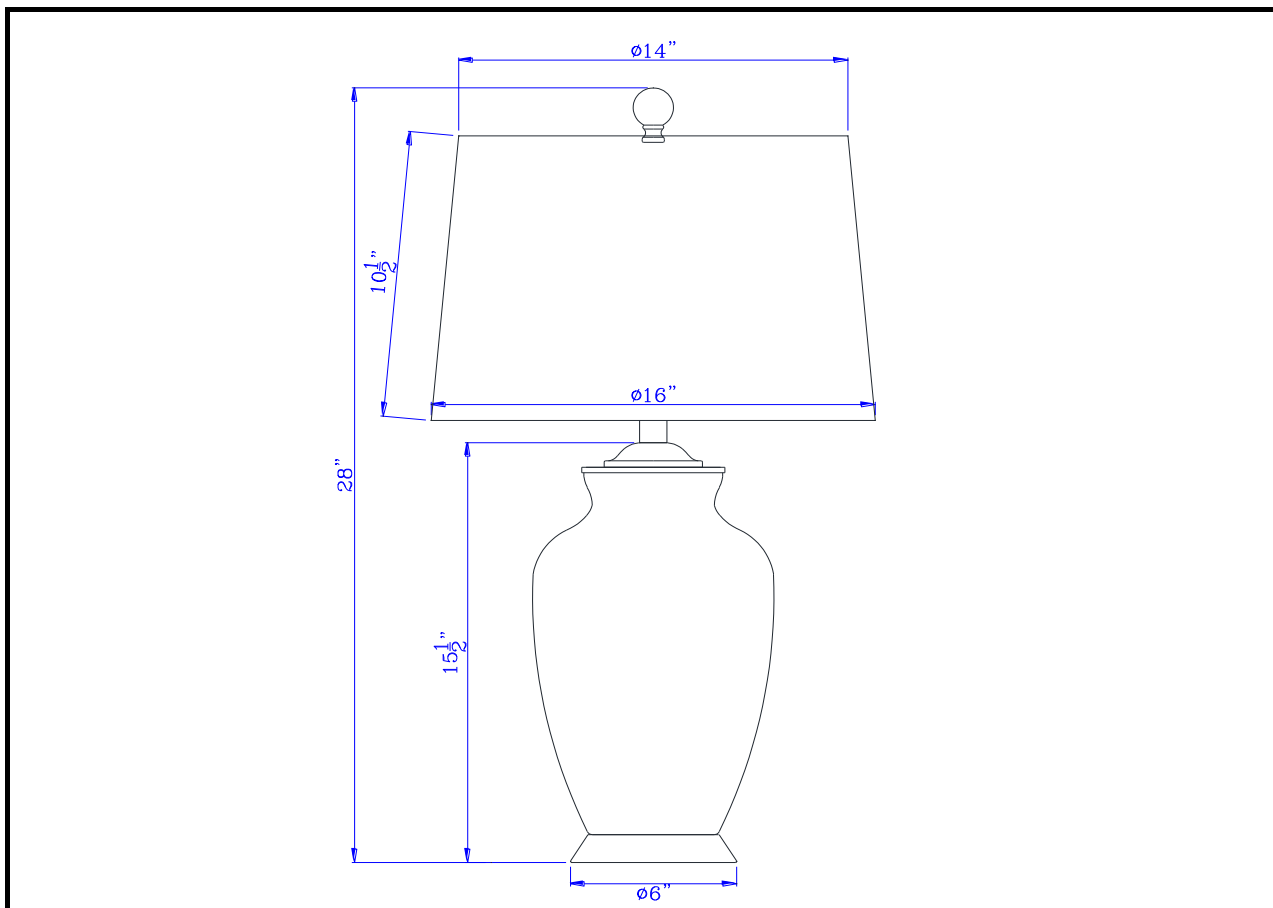
Type: \_\_\_\_\_

Project: \_\_\_\_\_

Catalog No.: \_\_\_\_\_

BO-2995TB

Lamp/Wattage: \_\_\_\_\_



- Model No:** BO-2995TB
- Description:** Ashland Glass Table Lamp with Hardback Taper Drum Fabric Shade
- Material:** metal
- Finish :** Skyblue
- Height:** 28"
- Reach/Depth:** 16"
- Base Width:** Dia.6"
- Wattage :**
- Socket :** Medium Base (E26)
- Switch:** 3-WAY
- Bulb:** Incandescent, CFL
- Wire Length:** 6'
- Wire Color:** Silver
- Shade No:**
- Material:** Fabric
- Shade size:** 14"x16"x10 1/2"

**Certificate :** 