

ASSEMBLY INSTRUCTIONS

ITEM NO: BO-2966TB

***** TO REDUCE THE RISK OF ELECTRIC SHOCK, ALWAYS UNPLUG FROM THE ELECTRICAL OUTLET BEFORE INSTALLATION.**

***** THIS FIXTURE IS SUITABLE FOR DRY LOCATION ONLY.**

***** THIS FIXTURE SHOULD ONLY BE CLEANED WITH A SOFT LINT FREE CLOTH DAMPLED WITH WATER. DO NOT USE ANY CHEMICAL OR ABUSIVE CLEANER AS THEY MAY DAMAGE THE SURFACE OF THE PRODUCTS.**

CAREFULLY UNPACK AND PLACE ALL PARTS ON A SMOOTH SURFACE.

1. LOOSEN HANDLE (1) OR (2) COUNTER-CLOCKWISE AND ADJUST THE POLE OF THE LIGHT TO DESIRED ANGLE AND TIGHTEN CLOCKWISE

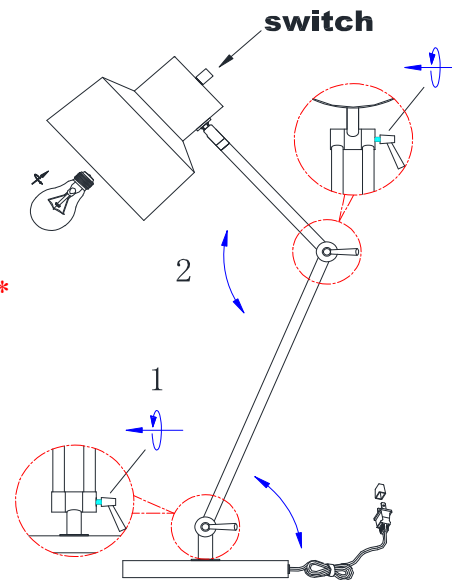
2. INSTALL RECOMMENDED BULB (NOT INCLUDED)

3. INSERT THE PLUG INTO AN OUTLET.

4. TURN ON THE SWITCH AND ENJOY YOUR LIGHT!

***** THE SWITCH IS ON THE BACK OF THE SHADE *****

YOUR LAMP IS NOW READY TO ENJOY!!!



Use Max 60W type A bulb (bulb not included)

THIS PORTABLE LAMP HAS A POLARIZED PLUG (ONE BLADE IS WIDER THAN THE OTHER) AS A SAFETY FEATURE TO REDUCE THE RISK OF ELECTRIC SHOCK. THIS PLUG WILL FIT IN A POLARIZED OUTLET ONLY ONE WAY. IF IT DOES NOT FIT FULLY IN THE OUTLET, REVERSE THE PLUG. IF IT STILL DOES NOT FIT, CONTACT A QUALIFIED ELECTRICIAN. NEVER USE WITH AN EXTENSION CORD UNLESS THE PLUG CAN BE FULLY AND EASILY INSERTED. DO NOT ATTEMPT TO ALTER THE PLUG.

SAVE THESE INSTRUCTIONS FOR FUTURE REFERENCE.