



# CAL LIGHTING

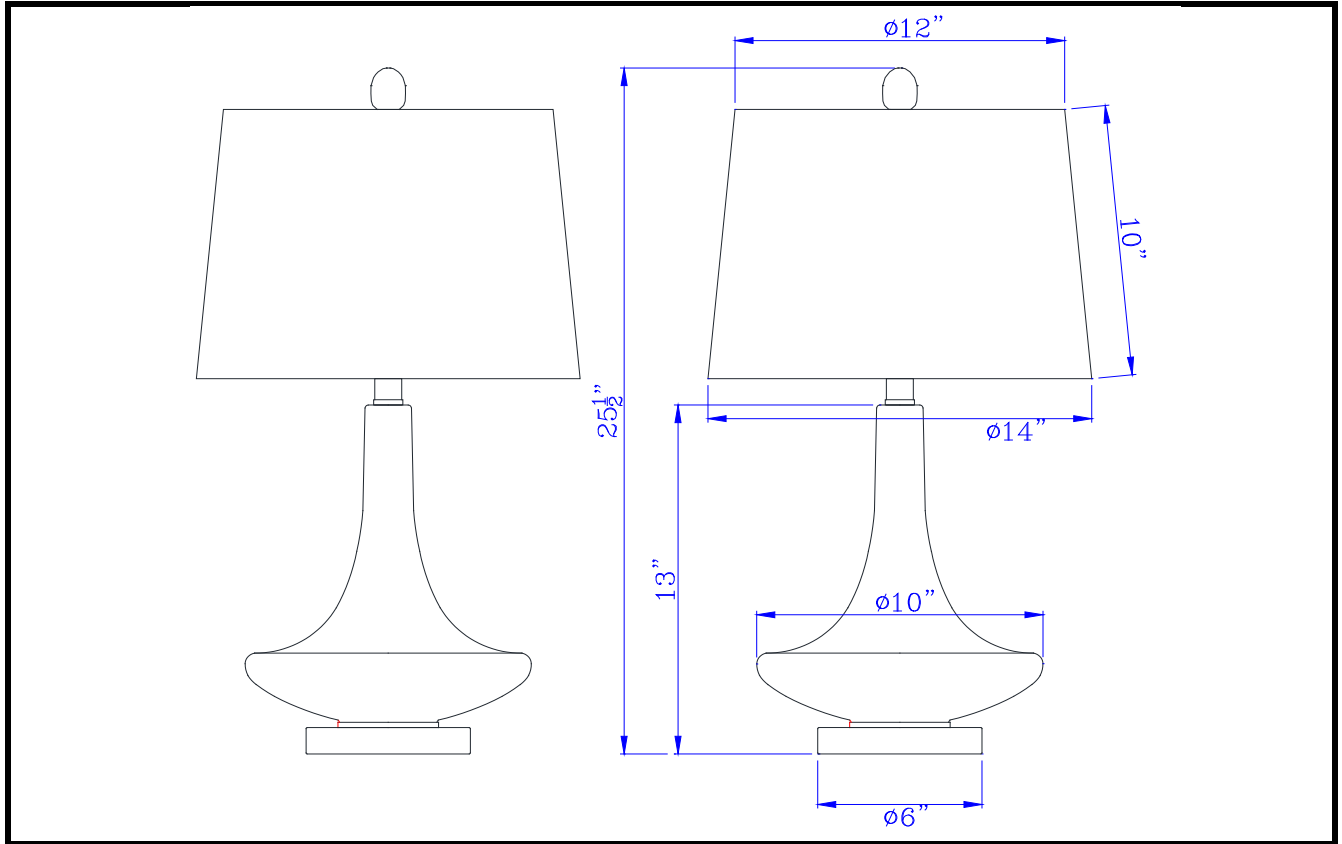
3625 E. Philadelphia St. Ontario CA. 91761 • Tel: 909.947.5200 • Fax:  
909.947.5673 • www.calighting.com • service@calighting.com •  
Specifications subject to change without notice

Type: \_\_\_\_\_

Project: \_\_\_\_\_

Catalog No.: **BO-2960TB-2**

Lamp/Wattage: \_\_\_\_\_



- Model No:** BO-2960TB-2
- Description:** 100W Kleve glass table lamp with taper drum hardback linen shade (Priced and sold as pairs)
- Material:** Glass
- Finish :** Royal Blue
- Height:** 25 1/2"
- Reach/Depth:** 14"
- Base Width:** Dia. 6"
- Wattage :** 100W
- Socket :** Medium Base (E26)
- Switch:** On/off
- Bulb:** Incandescent, CFL
- Wire Length:** 6'
- Wire Color:** Silver
- Shade No:**
- Material:** Fabric
- Shade size:** 12"x14"x10"

Certificate :

