



# CAL LIGHTING

3625 E. Philadelphia St. Ontario CA. 91761 • Tel: 909.947.5200 • Fax:  
909.947.5673 • www.calighting.com • service@calighting.com •  
Specifications subject to change without notice

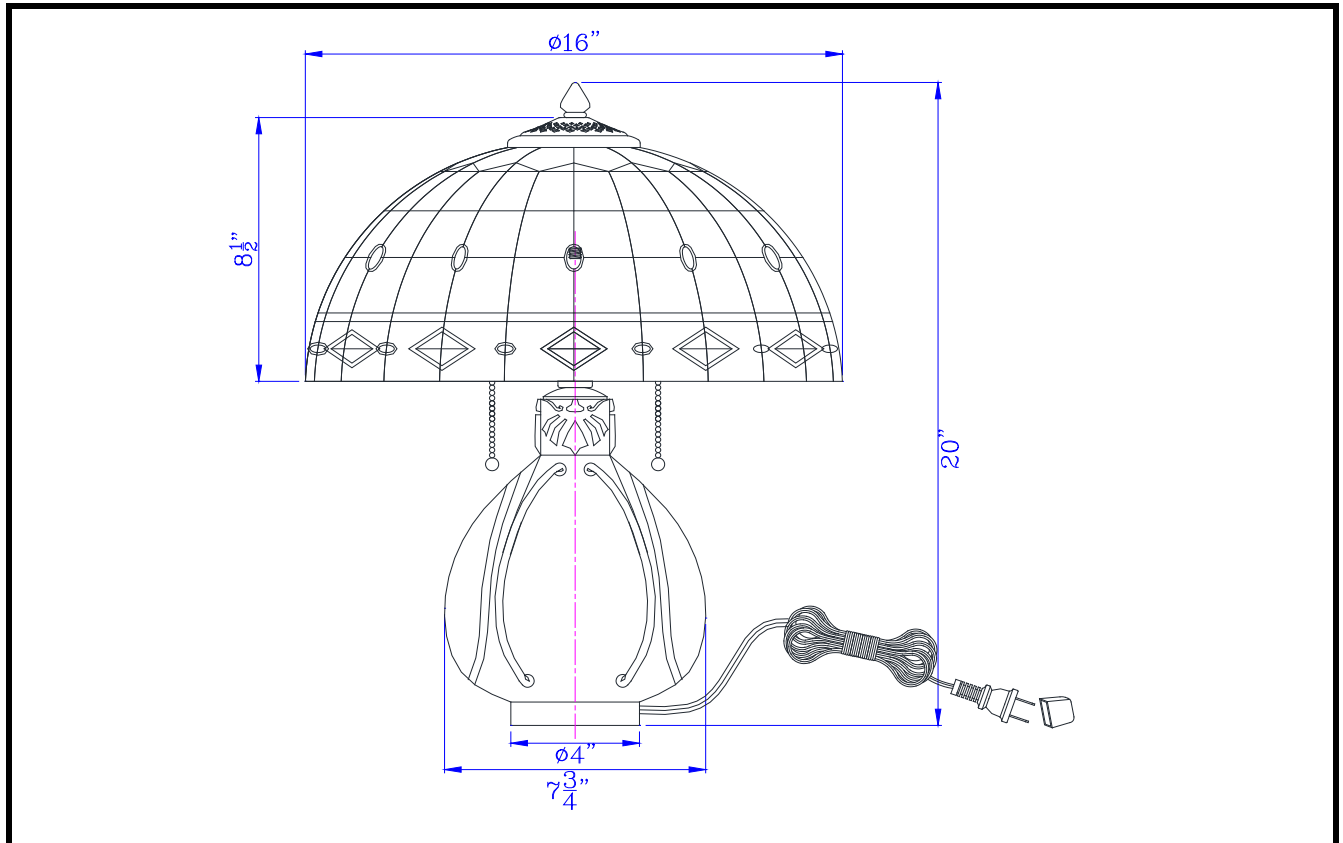
Type: \_\_\_\_\_

Project: \_\_\_\_\_

Catalog No.: \_\_\_\_\_

BO-2942TB

Lamp/Wattage: \_\_\_\_\_



**Model No:** BO-2942TB  
**Description:** 60W x 2 tiffany table lamp  
**Material:** TIF  
**Finish :** Dark Bronze  
**Height:** 20"  
**Reach/Depth:** 16"  
**Base Width:** 4"  
**Wattage :** 60W x 2  
**Socket :** Medium Base (E26)  
**Switch:** On/off  
**Bulb:** Incandescent, CFL  
**Wire Length:** 6'  
**Wire Color:** Black  
**Shade No:**  
**Material:** Tiffany  
**Shade size:** Dia.16" H 8 1/2"  
**Certificate :**

