



INSTALLATION MANUAL

Model: 3006

Edition:20240508V1.1

IMPORTANT SAFETY INSTRUCTIONS

Please read and understand this entire manual before attempting to assemble, install or operate the product.

WARNING:

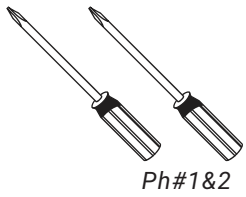
Disconnect power by turning off the circuit breaker or by removing the fuse at the fuse box. (All electrical steps should be performed by a qualified person or electrician.)

Ensure wiring and outlet box are compliant with national and local electrical codes, including the NEC. SkyOutlet requires installation on the branch circuit solid 12 or 14 AWG wire.

CAUTION:

To reduce risk of fire, use six (6) E12 **Max 60-watt** incandescent G16.5 bulbs or CFL/LED equivalent (bulbs not included). This fixture is meant for indoor use, **SUITABLE FOR DRY LOCATIONS AND DAMP LOCATIONS.**

TOOL NEEDED:(NOT PROVIDED)



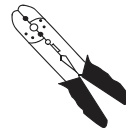
Ph#1&2



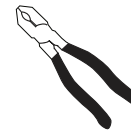
Safety Glasses



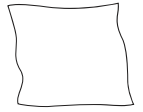
Step Ladder



Wire Stripper

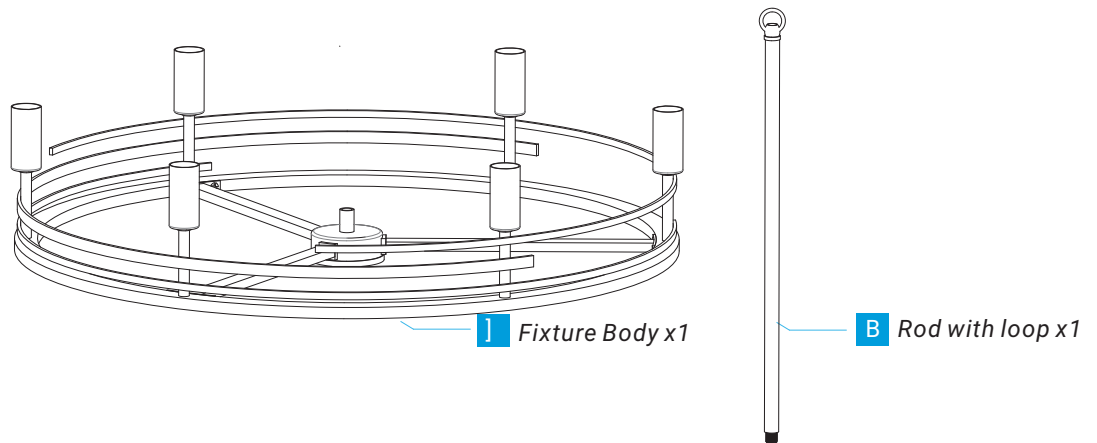


Pliers



Soft Cloth

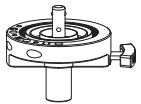
PACKAGE CONTENT



1 Fixture Body x1

B Rod with loop x1

MOUNTING HARDWARE



AA SkyPlug x1



BB SkyOutlet x1
with 2 rubber washers
and 2 mounting screws



CC Cover Plate x1



DD Cap x1
Use when cleaning &
painting or when fixture
is not in use



EE 4mm Washer x2
7mm Washer x2



FF Jumper Lead x2
Optional



GG Canopy x1



HH Chain Finial with
Hanging loop x1



II Finial Nut x1



JJ Chain x1



KK Quick Link x2

Install SkyOutlet

IMPORTANT:

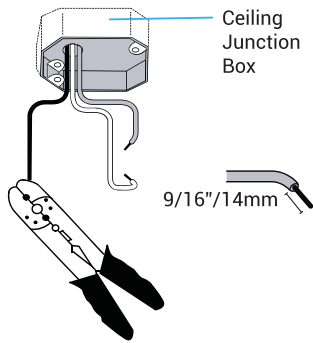
Disconnect power by turning off the circuit breaker or by removing the fuse at the box. All electrical steps should be performed by a qualified person or electrician.

Scan QR code below for reviewing SkyOutlet installation video.

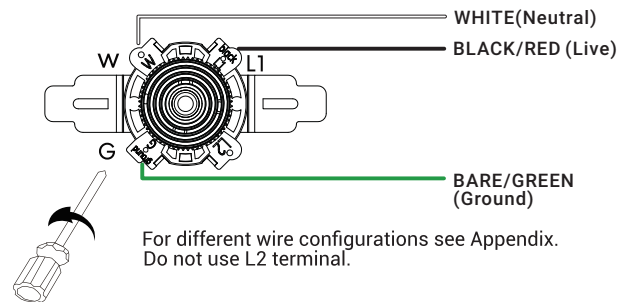


1 Wire SkyOutlet to ceiling junction box.

A. Strip wire to 9/16"/14mm.

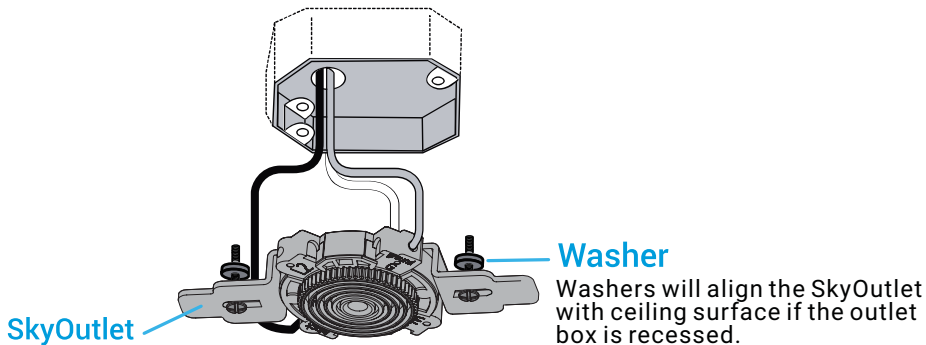


B. Loosen terminal screws to insert branch circuit wires into the corresponding terminals. Tighten to secure wires. Check to make sure wires are securely inserted into terminals. Set screw torque value at 6.3 lb/in.

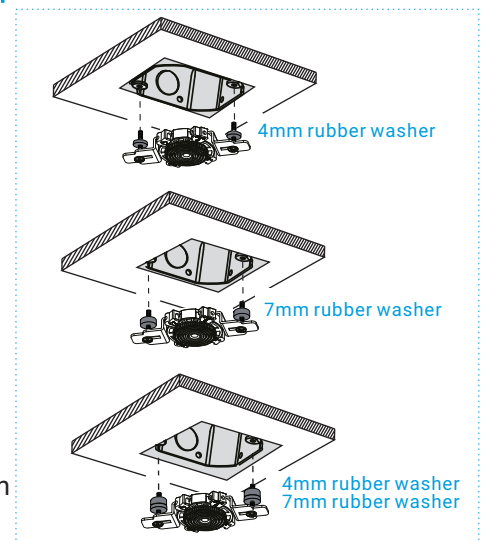


2 Secure SkyOutlet to outlet box using 2 screws and washers (included).

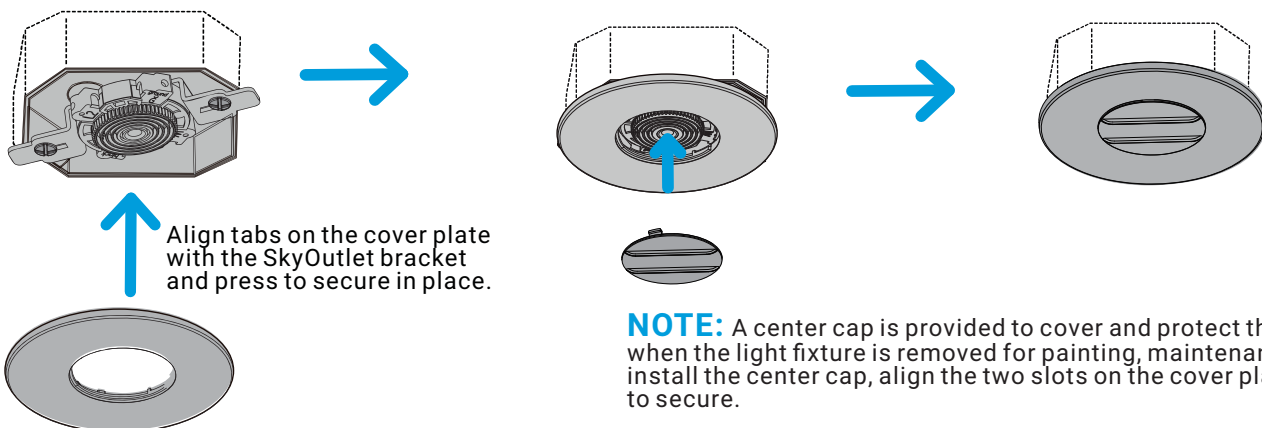
For different wire configurations see Appendix.



IMPORTANT: If your box is flush with ceiling or recessed less than 1.5 mm (0.06"), use 4 mm washer. If recessed between 1.5 mm (0.06") and 3 mm (0.12") use larger 7 mm rubber washer. If recessed more, use combination of both washers.



3 Secure cover plate as shown.



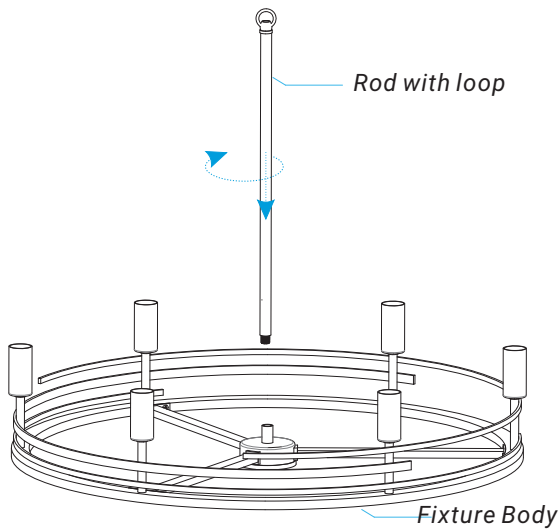
NOTE: A center cap is provided to cover and protect the SkyOutlet when the light fixture is removed for painting, maintenance, etc. To install the center cap, align the two slots on the cover plate and turn to secure.

Assemble Fixture (All steps can be assembled on the floor.)

Scan QR code below for reviewing chain fixture installation video.



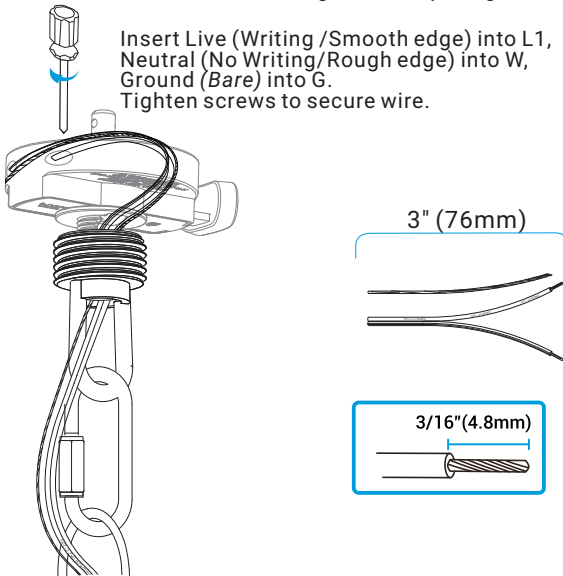
1 Install fixture rod with loop.



4 Wire SkyPlug.

Measure the leads to cut excess wire and strip the leads.
Recommended leads length 3", strip length 3/16".

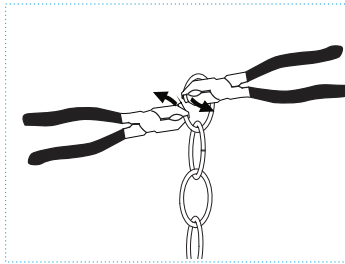
Insert Live (Writing /Smooth edge) into L1,
Neutral (No Writing/Rough edge) into W,
Ground (Bare) into G.
Tighten screws to secure wire.



2 Install fixture chain.

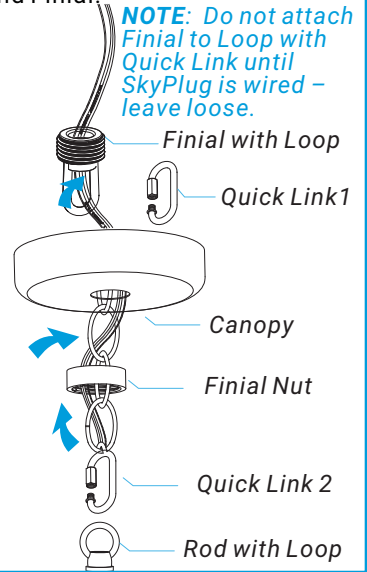
Determine the hanging height, remove links if need.

To open links, use two sets of pliers to twist link open.



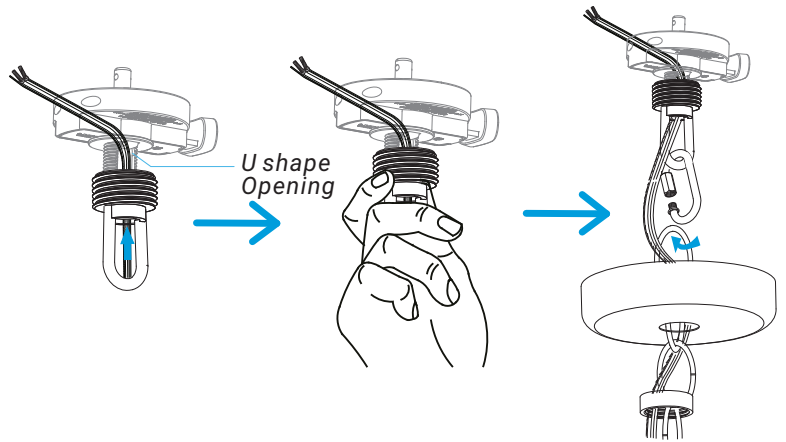
Place Finial Nut & Canopy down the chain in the order as shown. Loop fixture wire through Chain and Finial.

NOTE: Do not attach Finial to Loop with Quick Link until SkyPlug is wired - leave loose.



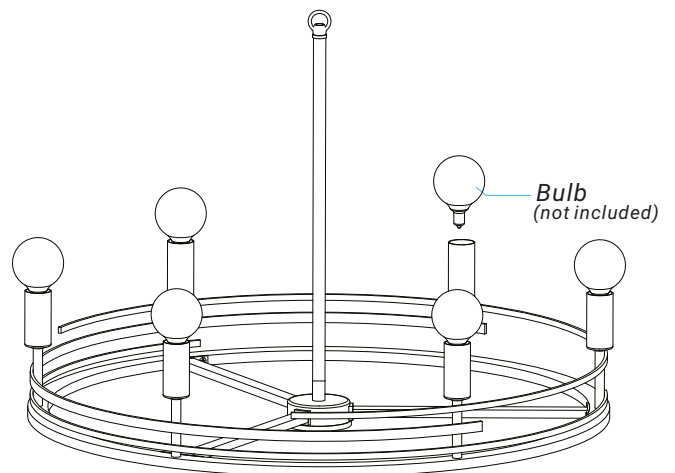
3 Install SkyPlug.

Route wires through the U shape opening. Attach chain to rod and finial using the two quick links.



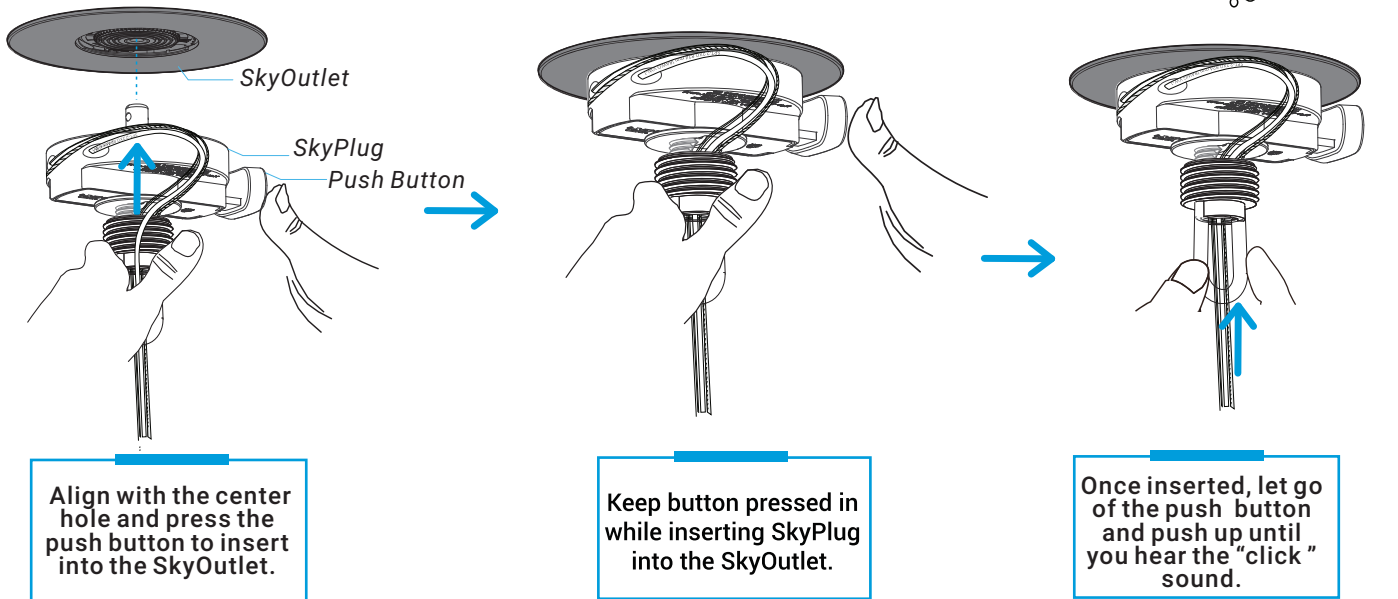
5 Install bulbs (not included).

Recommended Bulb Type: E12-G16.5, Max. 60W

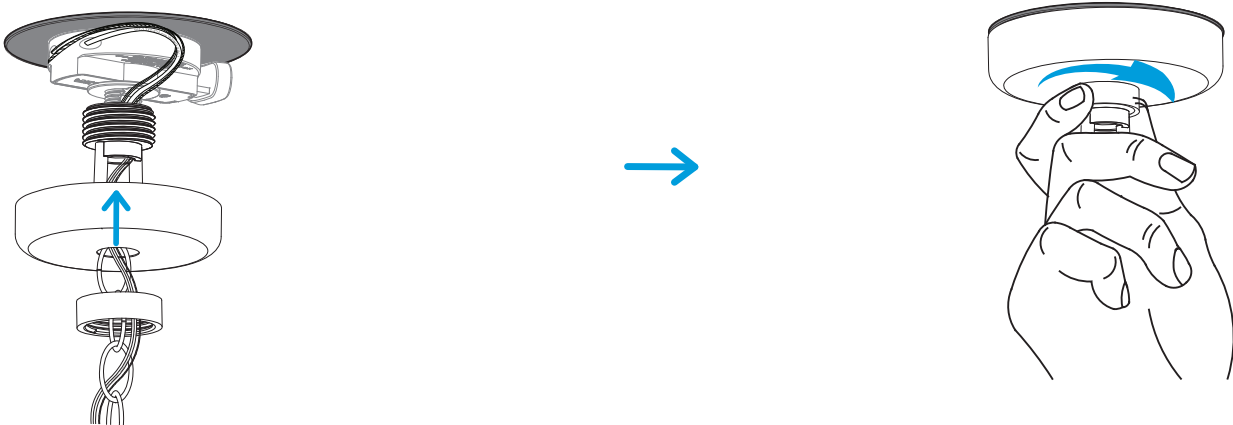


Connect SkyPlug to SkyOutlet

1 While supporting the fixture, plug into the SkyOutlet.

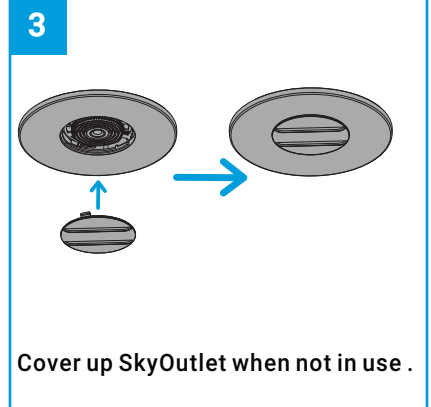
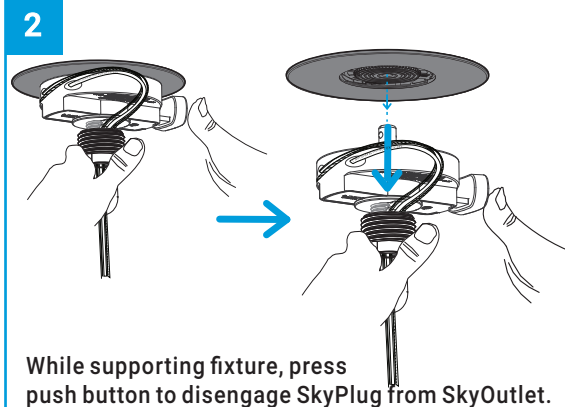
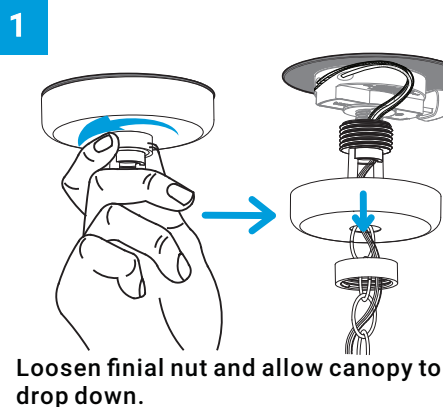


2 Once plugged in, slide the Canopy up to the ceiling surface and secure in place with the finial nut.



Your installation is now complete! Restore electricity and save this manual for future reference.

Removing SkyPlug Fixtures

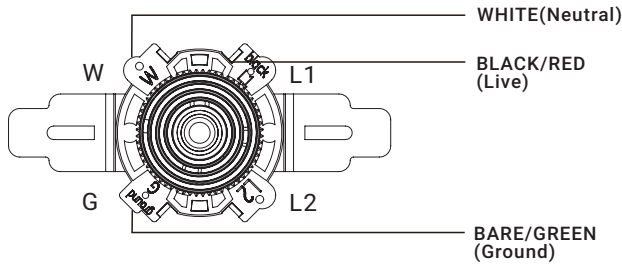


APPENDIX

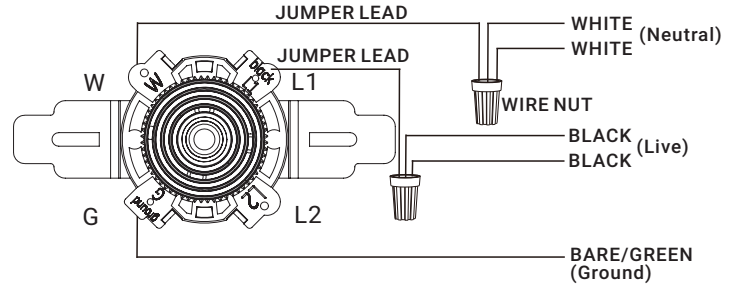
Additional Wiring Diagram

IMPORTANT: If you have multiple wires inside your outlet box, you will need to determine which lead is the live or switched lead and insert this lead into L1. If you are not sure how your house is wired, contact 1-866-885-4649 for questions or contact an electrician. When multiple wires are connected together use a solid wire 12 or 14 AWG JUMPER LEAD (included) to insert into the receptacle terminal. **Do not use L2.**

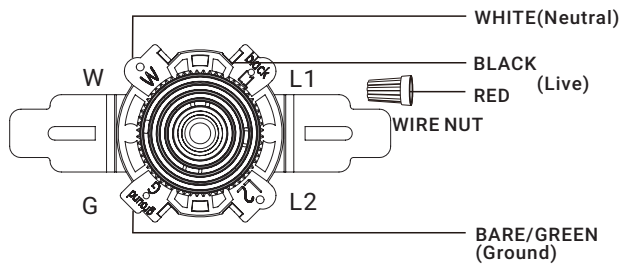
WIRING DIAGRAM#1:



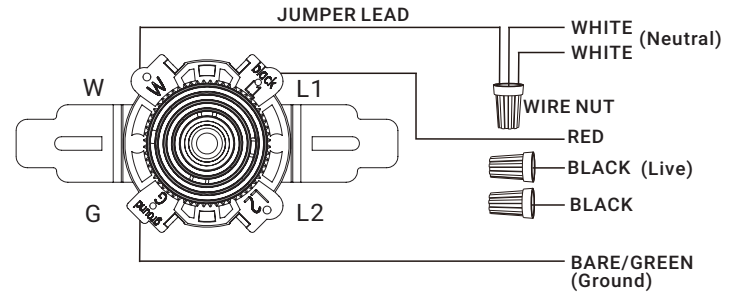
WIRING DIAGRAM#4:



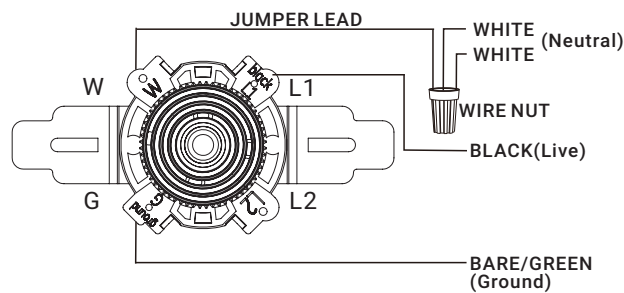
WIRING DIAGRAM#2:



WIRING DIAGRAM#5:



WIRING DIAGRAM#3:



NOTE: If you have multiple wires connected together, add **the included JUMPER LEAD** and insert jumper lead into terminal. Only one single wire can be inserted into terminal (See diagram 3-5).

LIMITED PRODUCT WARRANTY

For warranty info, visit www.skyplug.com/warranty.