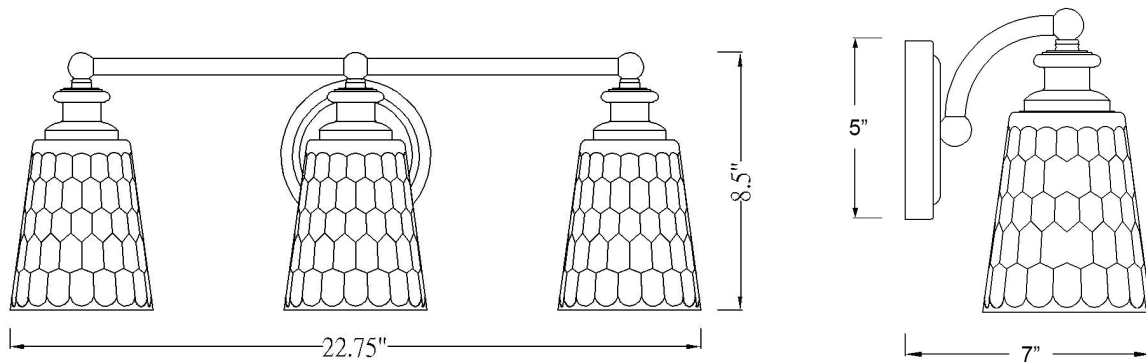


# IN40022BK

## MAE 3-LIGHT WALL SCONCE



<b>Description:</b>	Mae 3-Light Wall Sconce
<b>Finish:</b>	Matte black
<b>Dimensions:</b>	22-3/4" W x 8-1/2" H x 7" ext. Height on Center: 5"
<b>Bulbs:</b>	3-100W Med.
<b>Installed Weight:</b>	5.25 lbs.
<b>Certification:</b>	cUL / damp location

<b>Material:</b>	Steel and glass
<b>Shades:</b>	Glass
<b>Glass:</b>	Clear Optic
<b>Back Plate Dimensions:</b>	5" Dia.
<b>Chain/Wire:</b>	NA
<b>Additional Finishes:</b>	Oil-rubbed bronze and chrome