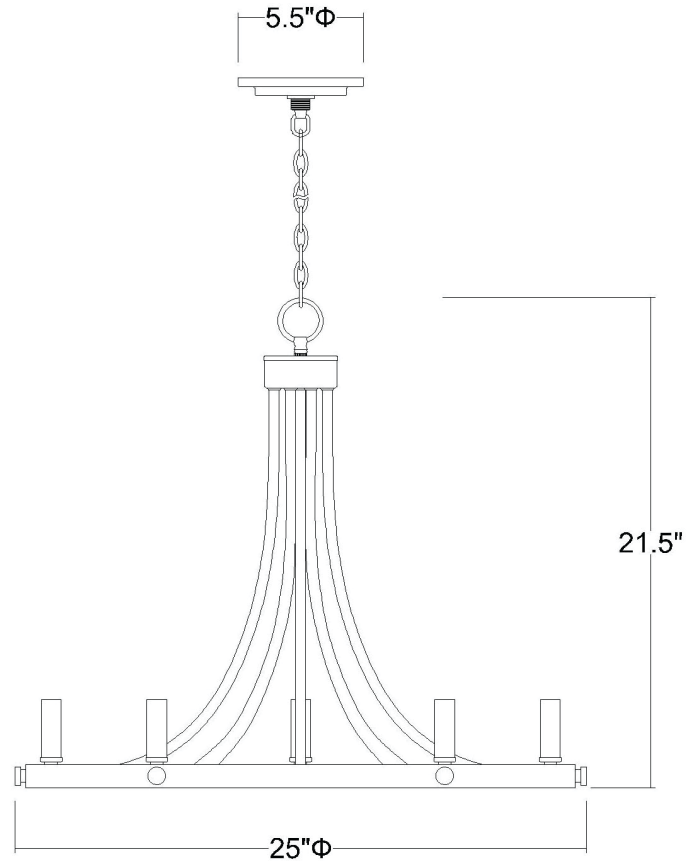


IN11150SN SAWYER 5-LIGHT CHANDELIER



Description:	Sawyer 5-Light Chandelier
Finish:	Satin Nickel
Dimensions:	25" Dia. x 21-1/2" H
Bulbs:	5-60W Cand.
Installed Weight:	6.6 lbs.
Certification:	cUL / dry location

Material:	Steel
Shades:	NA
Glass:	NA
Canopy Dimensions:	5-1/2" Dia.
Chain/Wire:	5' Chain, 12' Wire
Additional Finishes:	Matte black