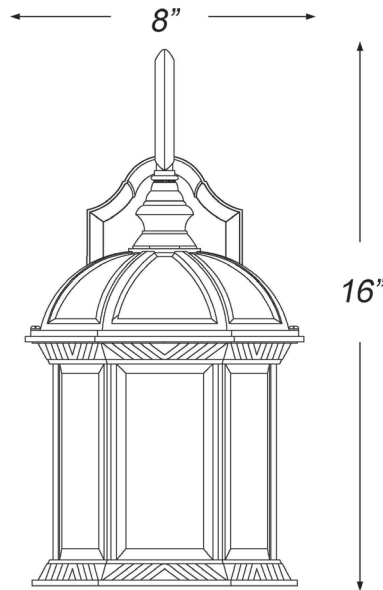


# 5271BW

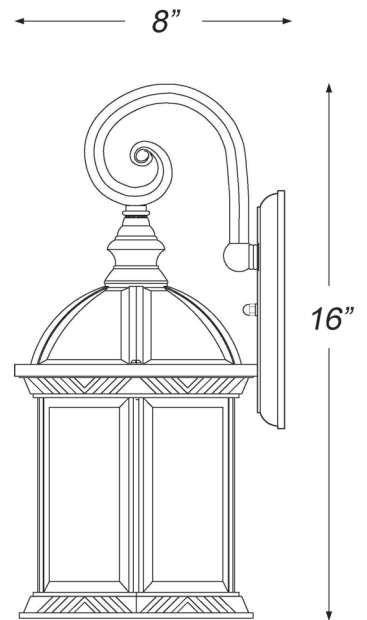
## DOVER 1-LIGHT WALL LANTERN



Front View



Side View



<b>Description:</b>	Dover 1-light wall lantern
<b>Finish:</b>	Burl walnut
<b>Dimensions:</b>	8" W x 16" H x 8" ext. Height on center: 6-1/2"
<b>Bulbs:</b>	1-100w med.
<b>Installed Weight:</b>	3 lbs.
<b>Certification:</b>	Wet location / c UL

<b>Material:</b>	Cast aluminum
<b>Shade:</b>	Glass
<b>Glass:</b>	Clear beveled
<b>Back Plate Dimensions:</b>	7" x 4-1/2"
<b>Chain/Wire:</b>	NA
<b>Additional Finishes:</b>	Matte black