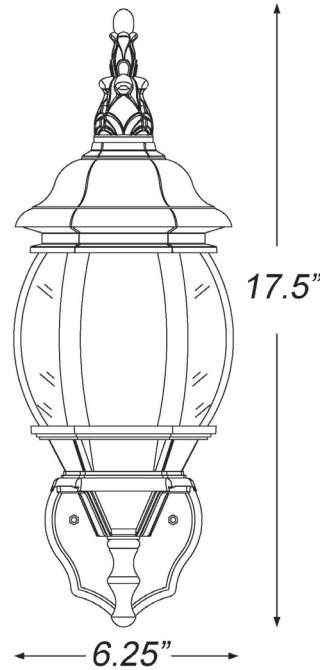


5051BK

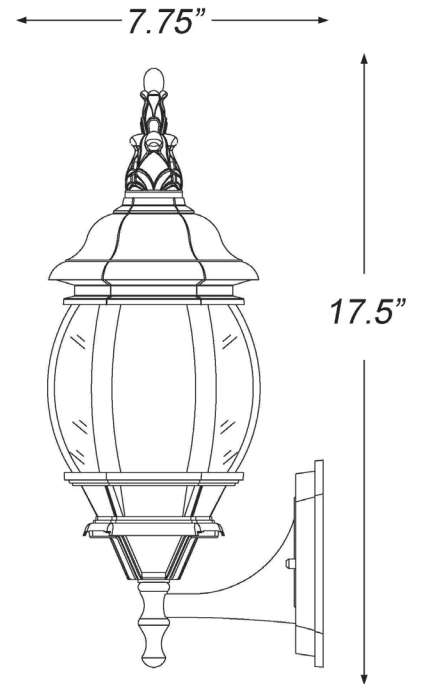
CHATEAU 1-LIGHT WALL LANTERN



Front View



Side View



Description:	Chateau 1-light wall lantern
Finish:	Matte black
Dimensions:	6-1/4" W x 17-1/2" H x 7-3/4" ext. Height on center: 14-1/2"
Bulbs:	1-100w Med.
Installed Weight:	2.45 lbs.
Certification:	Wet location

Material:	Cast aluminum and glass
Glass:	Clear beveled
Back Plate Dimensions:	4-1/2" x 6"
Chain/Wire:	NA
Additional Finishes:	Burled walnut