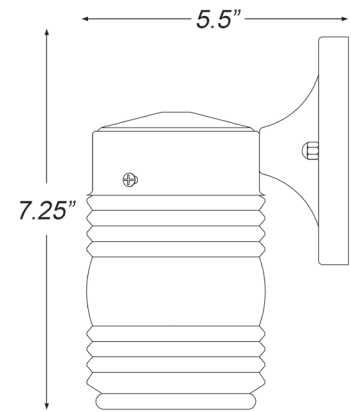
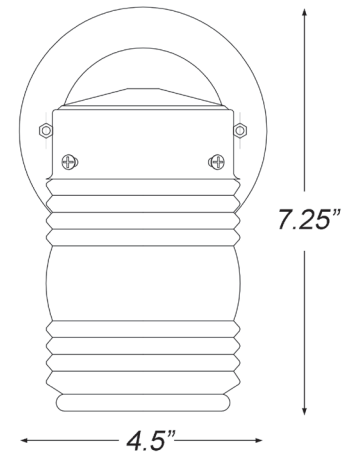


100WH

BUILDERS' CHOICE 1-LIGHT WALL LANTERN



| | |
|--------------------------|---------------------------------------------------------------|
| Description: | Builders' Choice 1-light wall lantern |
| Finish: | White |
| Dimensions: | 4-1/2" W x 7-1/4" H x 5-1/2" ext. Height on center: 2-1/2" |
| Bulbs: | 1-60w Med. |
| Installed Weight: | 1.25# |

| | |
|-------------------------------|---------------------|
| Certification: | Wet location / c UL |
| Material: | Powder coated steel |
| Glass: | Clear jelly jar |
| Back Plate Dimensions: | 4-1/2" dia. |
| Chain/Wire: | NA |
| Additional Finishes: | Matte black |