

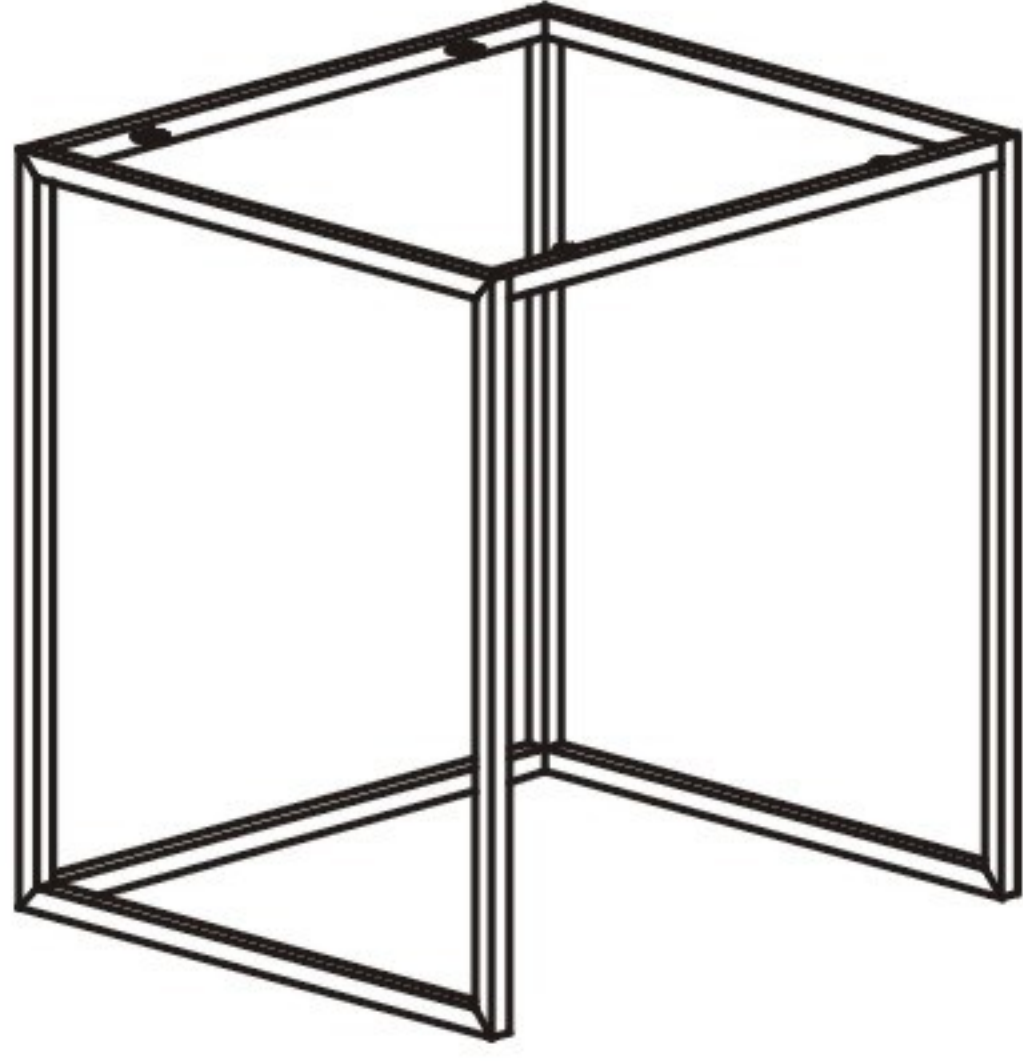
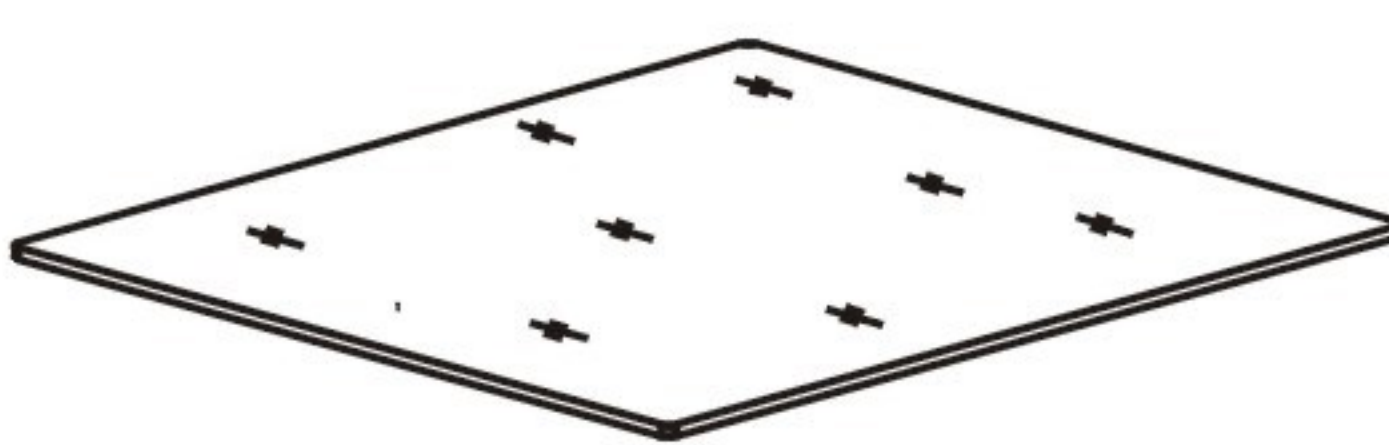

ITEM NAME /NOM D' ITEM: PASOS NESTING TABLE

ITEM # /NO. ITEM: 401105

401106 (BLACK/NOIR)

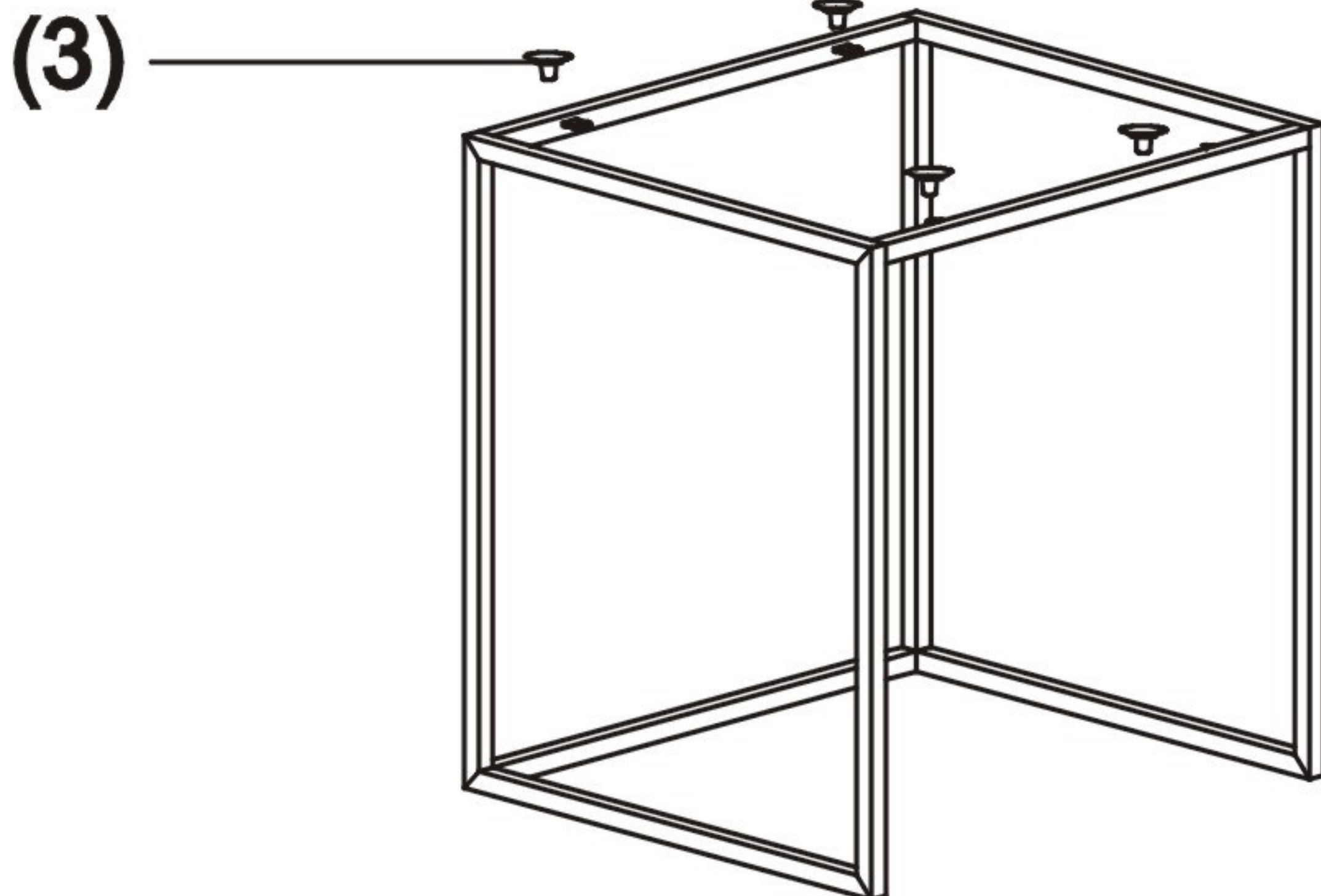
Enquiry: parts@zuomod.com

PART LIST/Liste des pièces

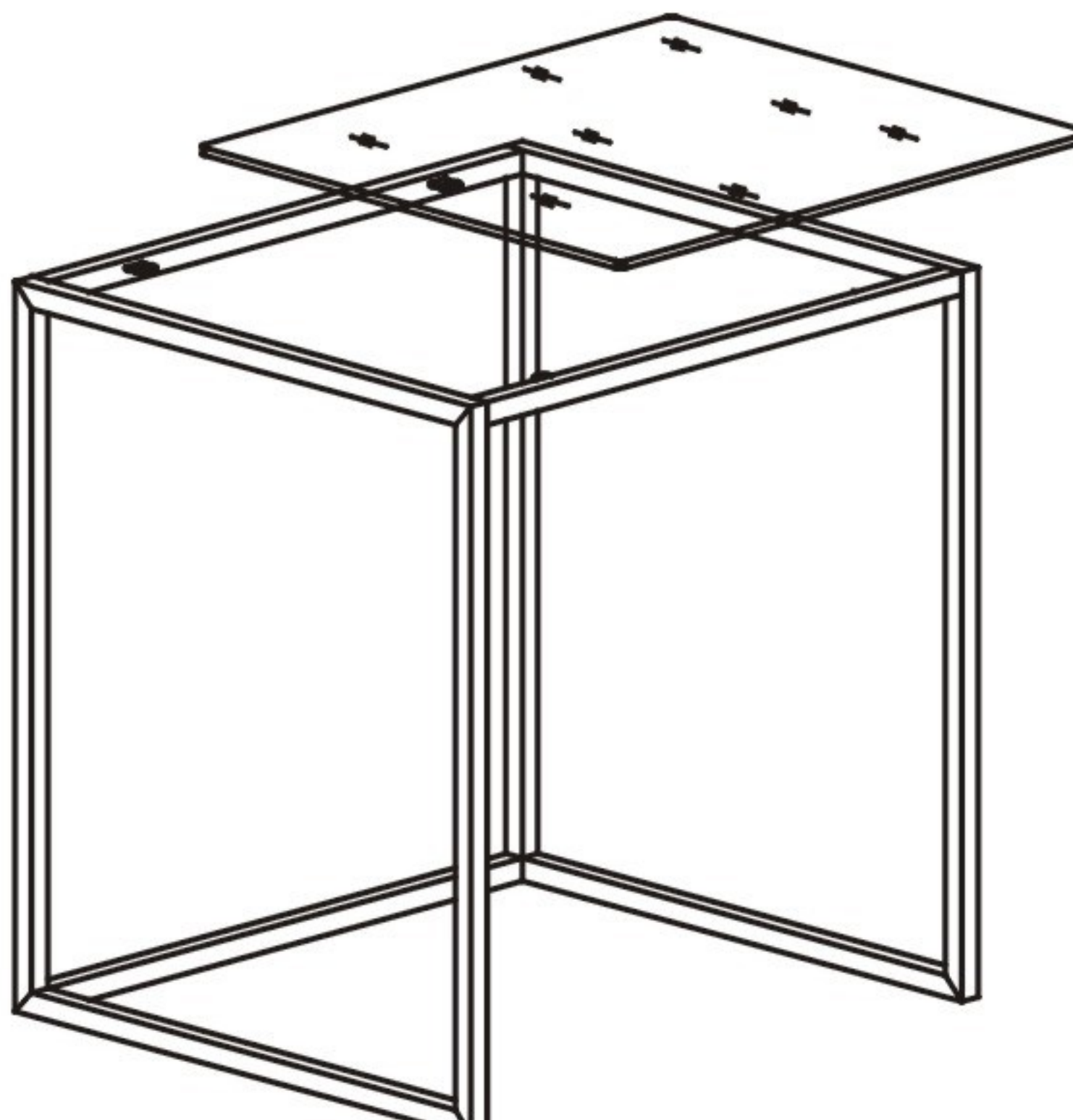
(1)	(2)	(3)
 <p>X3</p>	 <p>X3</p>	 <p>X12</p>

INSTRUCTION

A



B



C

