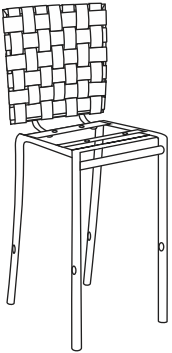
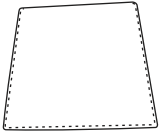
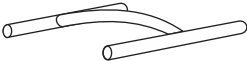






ITEM NAME /NOM D' ITEM:CRISS CROSS BAR CHAIR

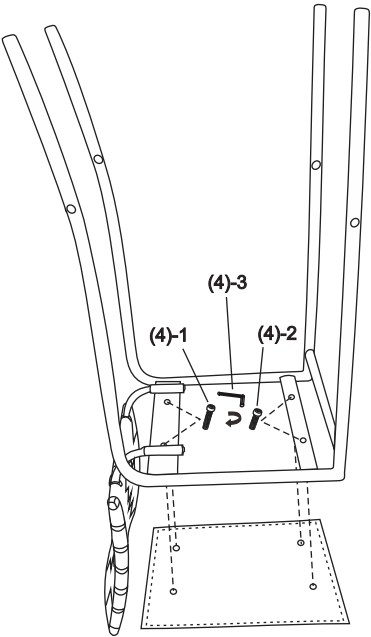
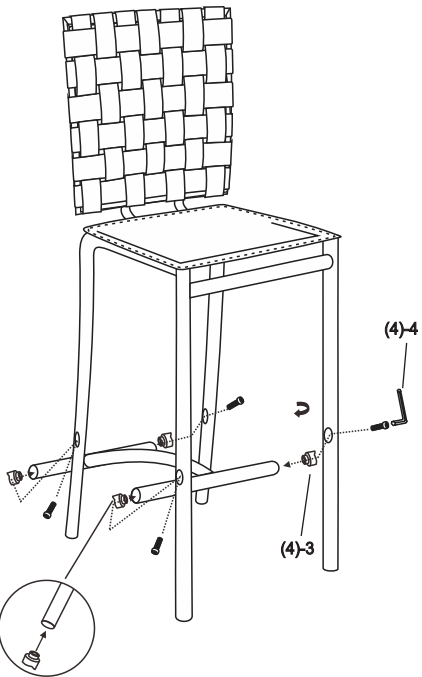
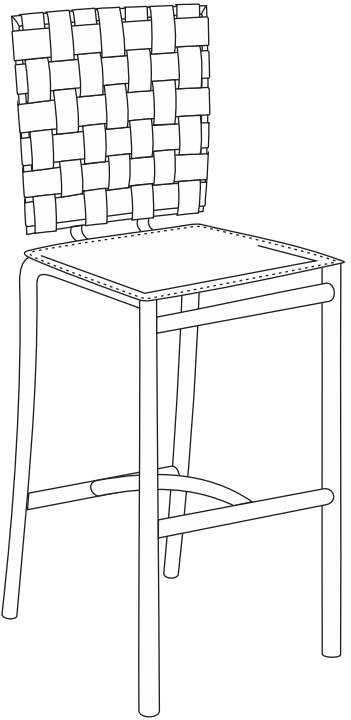
ITEM # /NO. ITEM:333072 (BLACK/NOIR)

Enquiry:parts@zuomod.com

PART LIST/Liste des pièces

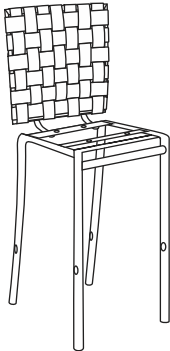
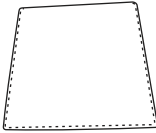
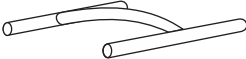



| (1) | (2) | (3) | (4) |
|--|---|--|---|
|  μ E X1 |  X1 |  X1 | <ol style="list-style-type: none"> X2 6*25mm X6 6*20mm X4 X1 |

INSTRUCTION

| | | |
|--|--|---|
| <p>A</p>  | <p>B</p>  | <p>C</p>  |
|--|--|---|

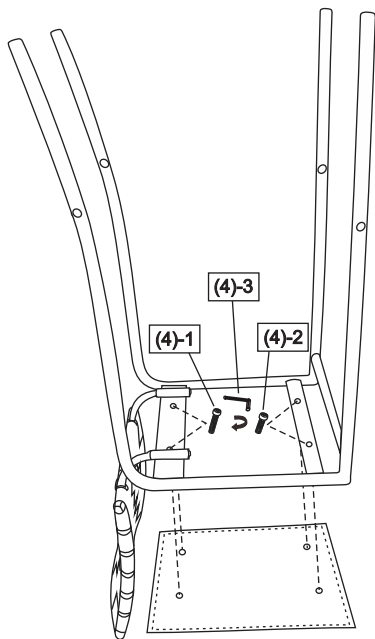
ITEM NAME/NOM D' ITEM: CRISS CROSS COUNTER BARSTOOL
ITEM # /NO. ITEM: 333070(ESPRESSO/ESPRESSO)
333071(WHITE/BLANC)

PART LIST/Liste des pièces

| (1) | (2) | (3) | (4) |
|--|---|--|--|
|  <p>μ E X1</p> |  <p>X1</p> |  <p>X1</p> | <p>1.  X2</p> <p>2.  X6</p> <p>3.  X1</p> |

INSTRUCTION

A



B

