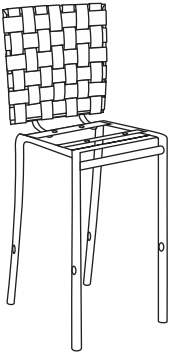
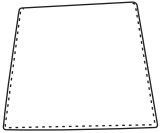
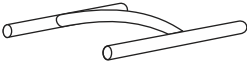






ITEM NAME /NOM D' ITEM:CRISS CROSS COUNTER CHAIR

ITEM # /NO. ITEM:333061 (WHITE/BLANC)

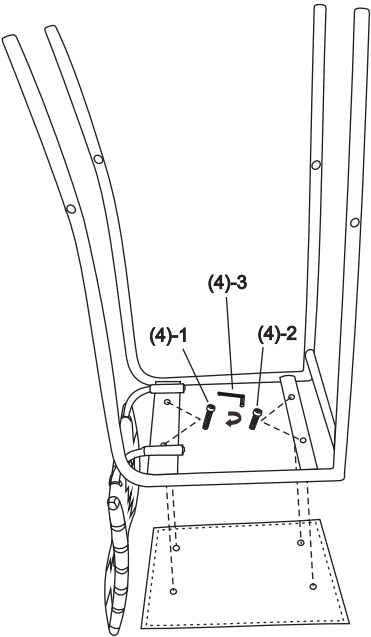
Enquiry:parts@zuomod.com

PART LIST/Liste des pièces

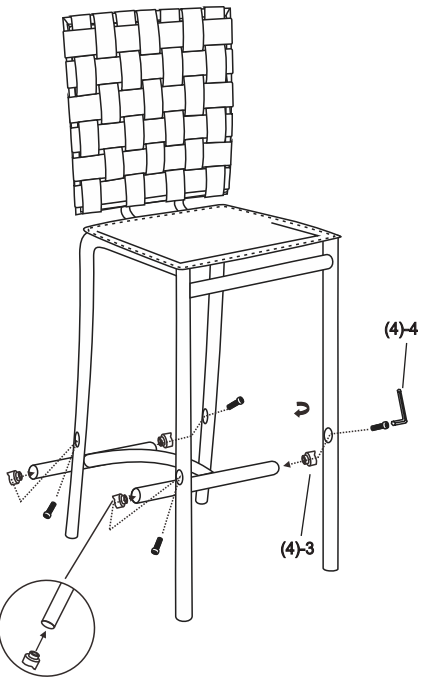
(1)	(2)	(3)	(4)
 X1	 X1	 X1	<ol style="list-style-type: none"> X2 6*25mm X6 6*20mm X4 X1

INSTRUCTION

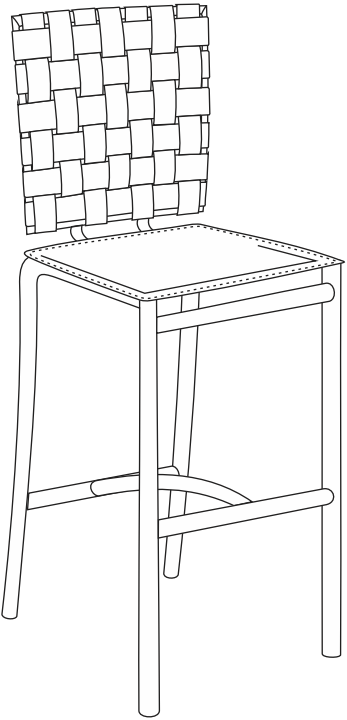
A



B

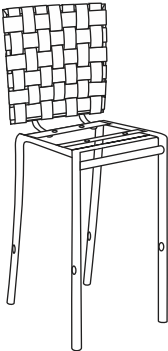
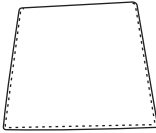
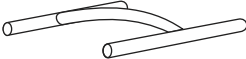





C



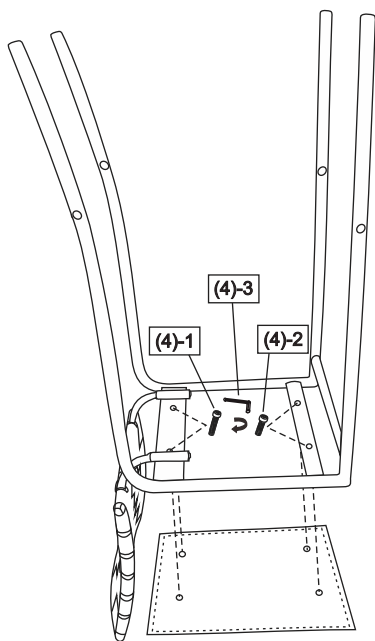
ITEM NAME/NOM D' ITEM:CRISS CROSS COUNTER BARSTOOL
ITEM # /NO. ITEM:333070(ESPRESSO/ESPRESSO)
333071(WHITE/BLANC)

PART LIST/Liste des pièces

(1)	(2)	(3)	(4)
 <p>μ E X1</p>	 <p>X1</p>	 <p>X1</p>	<p>1.  X2</p> <p>2.  X6</p> <p>3.  X1</p>

INSTRUCTION

A



B

