

ITEM NAME /NOM D' ITEM: WIRE BAR CHAIR

ITEM # /NO. ITEM: 188015 (CHROME)

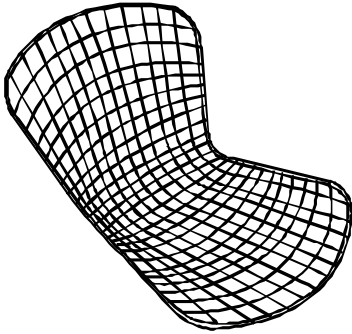
Enquiry: parts@zuomod.com

PART LIST/Liste des pièces

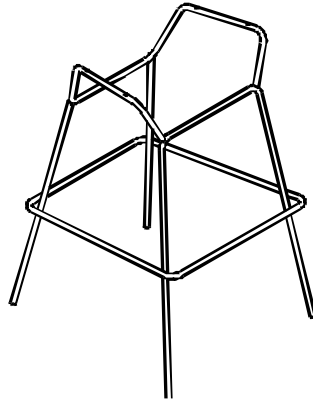
(1)

(2)

(3)



X1



X1

1.



X4

2.



X4

3.



X4

4.



X4

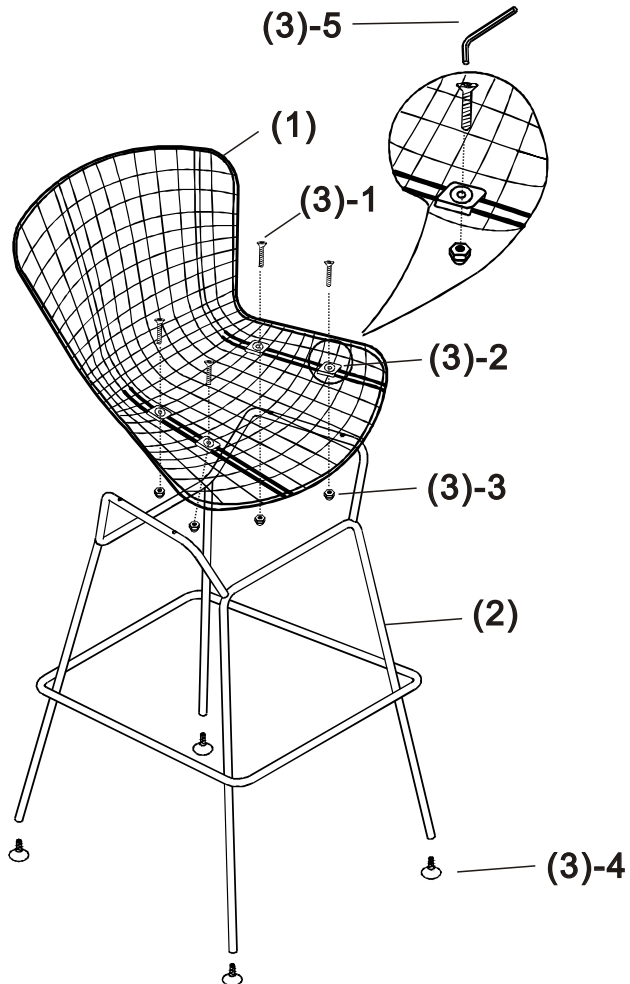
5.



X1

INSTRUCTION

A



B

