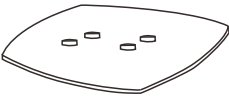
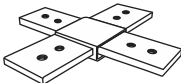
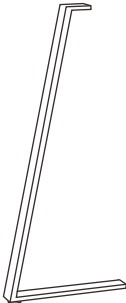







# ITEM NAME /NOM D' ITEM:LEMON DROP DINNING TABLE

ITEM # /NO. ITEM:102195

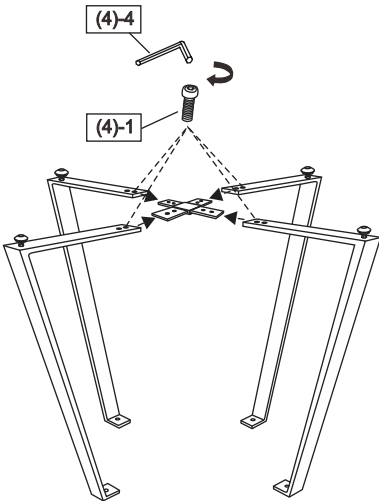
Enquiry:parts@zuomod.com

## PART LIST/Liste des pièces

(1)	(2)	(3)	(4)
 X1	 X1	 X4	<ol style="list-style-type: none"><li> X8 8X12mm</li><li> X4 10X20mm</li><li> X4</li><li> X1 6mm</li><li> X1 5mm</li></ol>

## INSTRUCTION

**A**



**B**

