
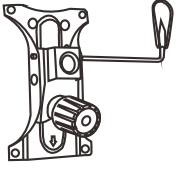

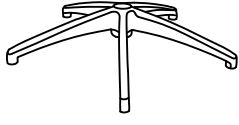
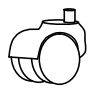


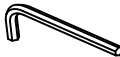


ITEM NAME /NOM D' ITEM:STACY OFFICE CHAIR

ITEM # /NO. ITEM:102010(BLACK MESH)

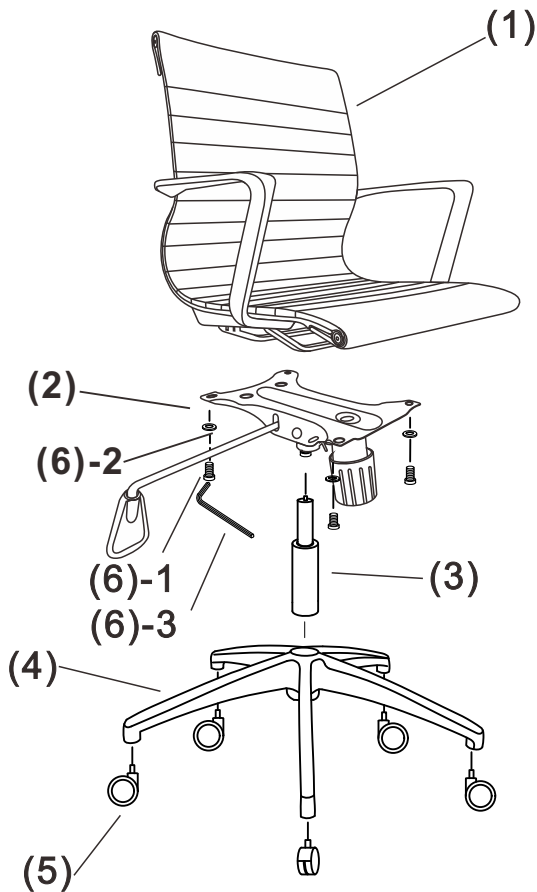
Enquiry:parts@zuomod.com

PART LIST/Liste des pièces

(1)	(2)	(3)	(4)
 X1	 X1	 X1	 X1
(5)	(6)		
 X5	1、  X4 6X12MM 2、  X4 3、  X1		

INSTRUCTION

A



B

