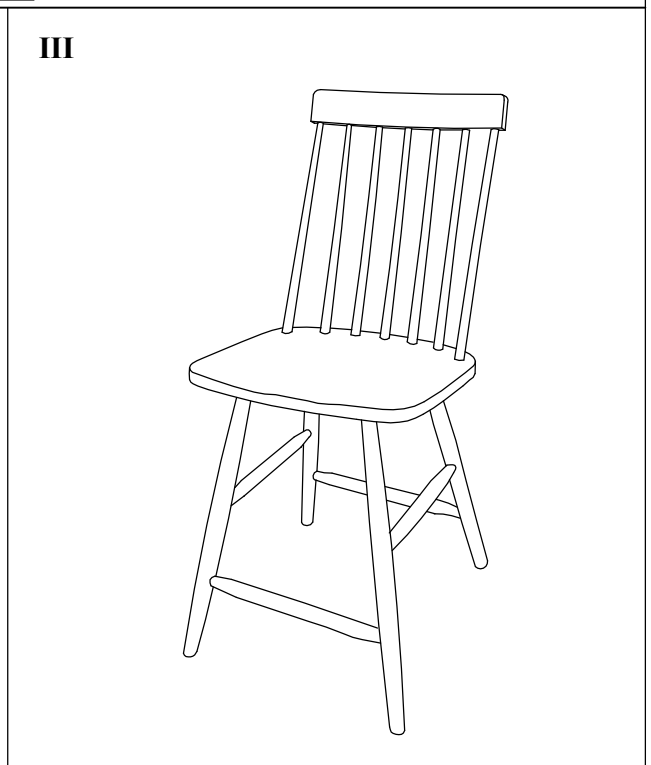
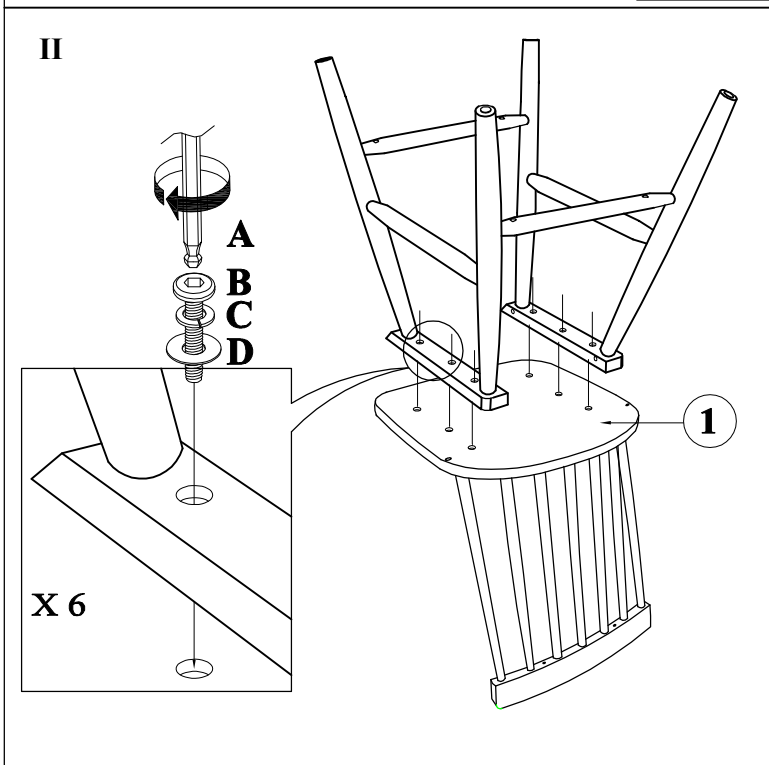
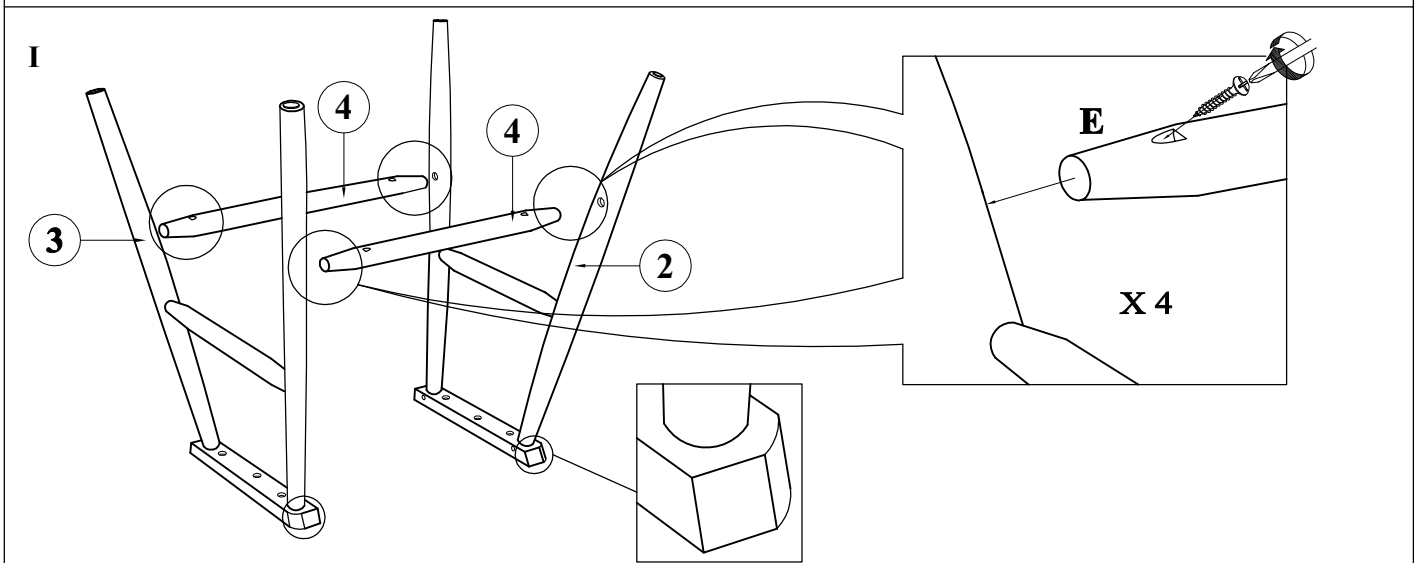


**ITEM NAME/NOM D'ITEM: ASHLEY COUNTER CHAIR**  
**ITEM # /NO.ITEM : 101847**

**PARTS LIST/LISTE DES PIÈCES**

(1)	(2)	(3)	(4)	(5)		
				A.		4 mm x 1
x 1	x 1	x 1	x 2	B.		M6 X 30 mm x 6
				C.		Ø6mm x 6
				D.		Ø6mm x 6
				E.		4 X 32 mm x 4

**ASSEMBLY INSTRUCTIONS / INSTRUCTIONS D'ASSEMBLAGE**



For missing parts or damaged parts, please call:

USA: 1-866-798-6663  
 Canada: 514-382-6661