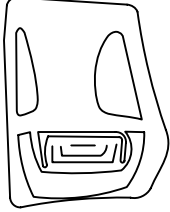
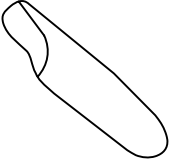

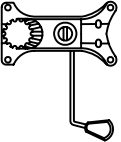
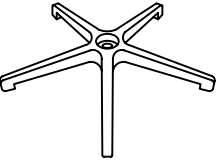







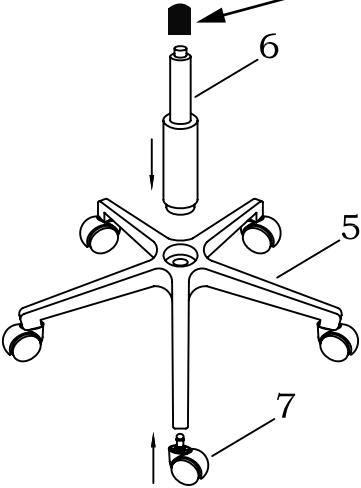
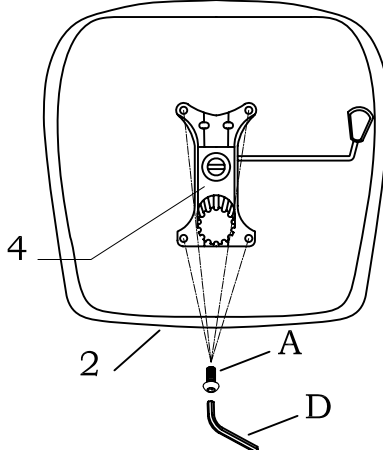
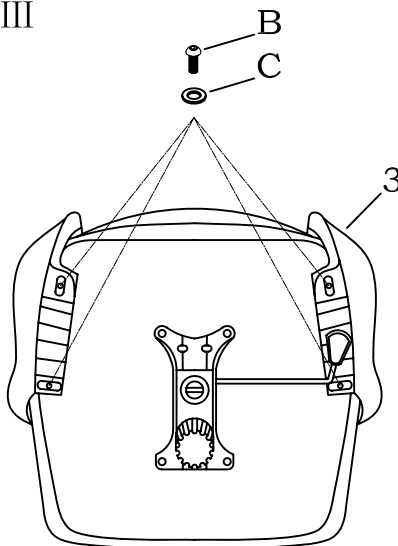
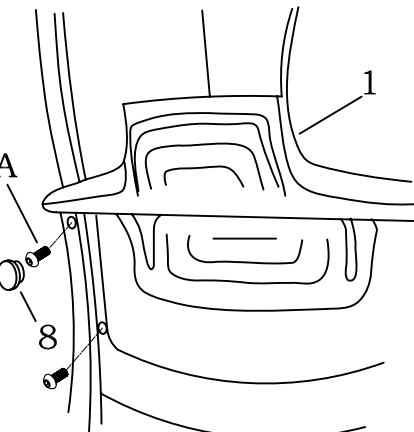
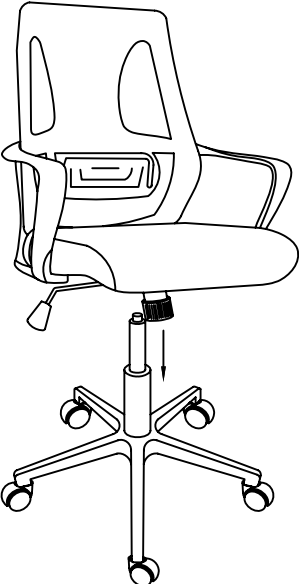


ITEM NAME/NOM D'ITEM: SKYRISE OFFICE CHAIR
 ITEM #/NO.ITEM: 101826

PARTS LIST/LISTE DES PIÈCES

(1)	(2)	(3)	(4)	(5)	(6)	(7)	(8)	(9)
								A.  M6×20mm x8 B.  M6×35mm x4 C.  Ø15×1.0mm x4 D.  4mm x1
x1	x1	x2	x1	x1	x1	x5	x2	

ASSEMBLY INSTRUCTIONS/INSTRUCTIONS D'ASSEMBLAGE

<p>I REMOVE THE CAP BEFORE ASSEMBLY</p> 	<p>II</p> 	<p>III</p> 
<p>IV</p> 	<p>V</p> 	<p>VI</p> 