
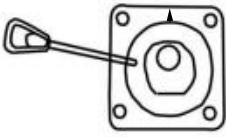

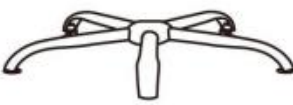





**ITEM NAME/ NOM D'ITEM:DOWN LOW OFFICE CHAIR**

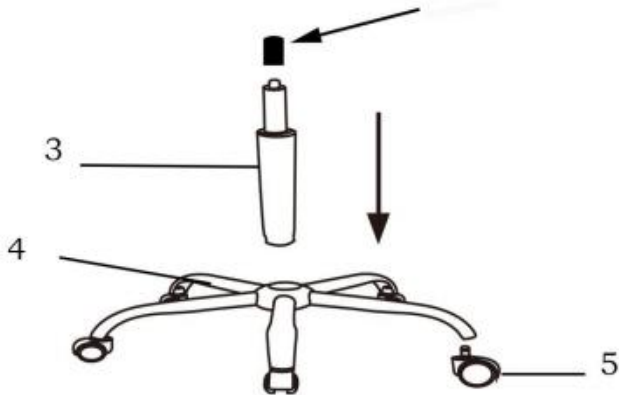
**ITEM#/NO. ITEM:101786**

**PART LIST / LISTE DES PIÈCES**

(1)	(2)	(3)
 x1	 x1	
(4)	(5)	(6)
 x1	 x5	A.  M6x18mm x4 B.  5mm x1

**ASSEMBLY INSTRUCTIONS / INSTRUCTIONS D'ASSEMBLAGE**

I REMOVE THE CAP BEFORE ASSEMBLE

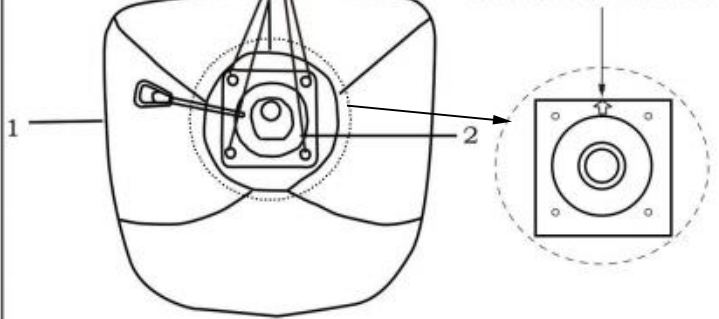


II

A

B

THE R SIGN MUST FACE THE FRONT OF THE CHAIR



III

1



IV

