










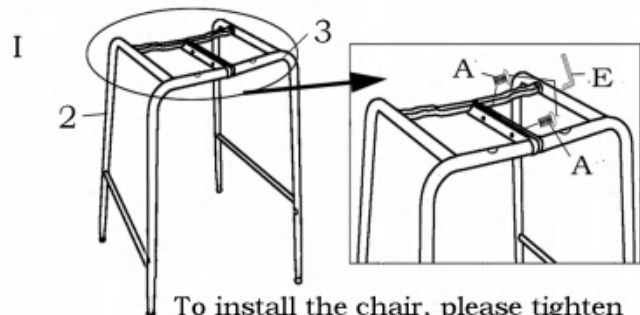
ITEM NAME/ NOM D'ITEM: TONY BAR CHAIR

ITEM#/NO. ITEM: 101756/101757/101758/101759/101760

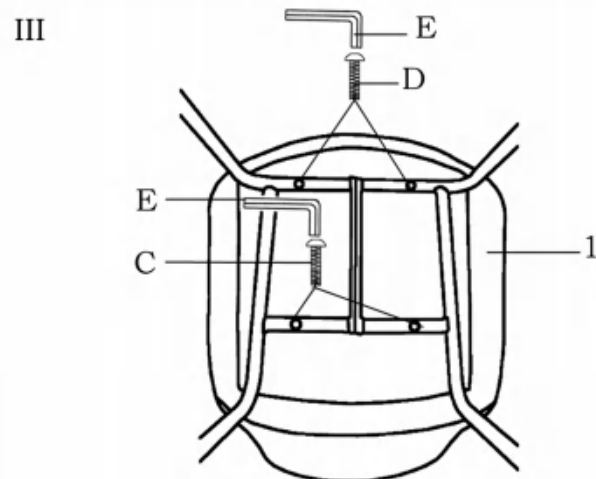
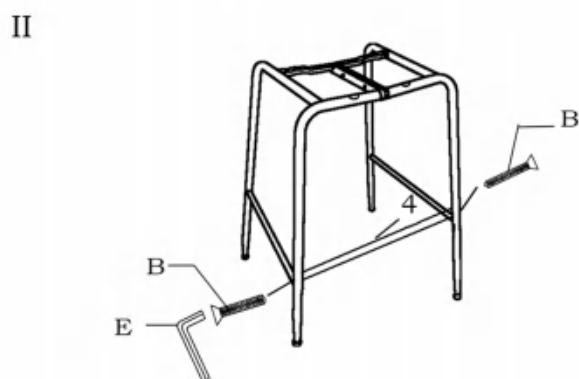
PART LIST / LISTE DES PIÈCES

(1)	(2)	(3)	(4)	(5)
				<p>A.  M8x14mm x2</p> <p>B.  M6x30mm x2</p> <p>C.  M6x22mm x2</p> <p>D.  M6x30mm x2</p> <p>E.  5mm x1</p>
x1	x1	x1	x1	

ASSEMBLY INSTRUCTIONS / INSTRUCTIONS D'ASSEMBLAGE



To install the chair, please tighten the screws in 80% first, after installing all the screws, make sure the chair is balanced and re-tighten the screws in 100%.



For missing parts or damaged parts, please call

USA : 1-866-798-6663

Canada : 514-382-6661