
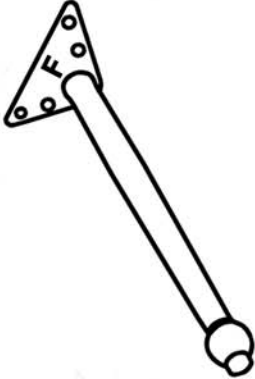
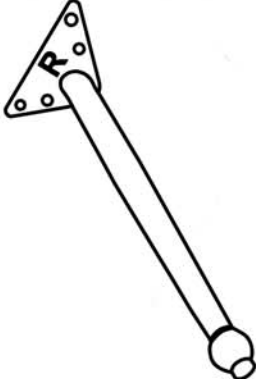
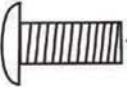



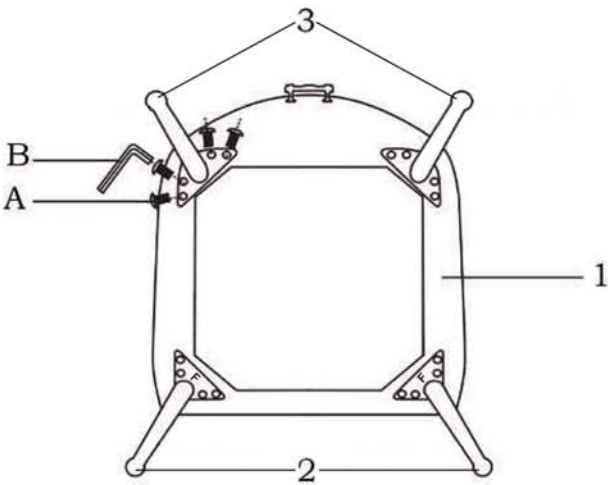
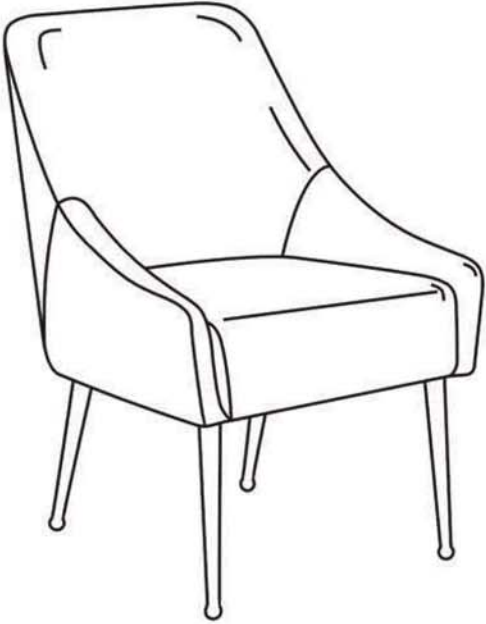
ITEM NAME / NOM D'ITEM: MIRA DINING CHAIR

ITEM #/NO. ITEM: 101723/101724/101725/101726/101727

PART LIST / LISTE DES PIÈCES

(1)	(2)	(3)
 <p style="text-align: right;">x1</p>	 <p style="text-align: right;">x2</p>	 <p style="text-align: right;">x2</p>
(5)		
<p>A.  M6x18mm x16</p>	<p>B.  6mm x1</p>	

ASSEMBLY INSTRUCTIONS / INSTRUCTIONS D'ASSEMBLAGE

<p>I</p> 	<p>II</p> 
--	--

For missing parts or damaged parts, please call

USA : 1-866-798-6663

Canada : 514-382-6661