





# ITEM NAME /NOM D' ITEM:ATLAS DINING TABLE

ITEM # /NO. ITEM:100652 (GOLD)

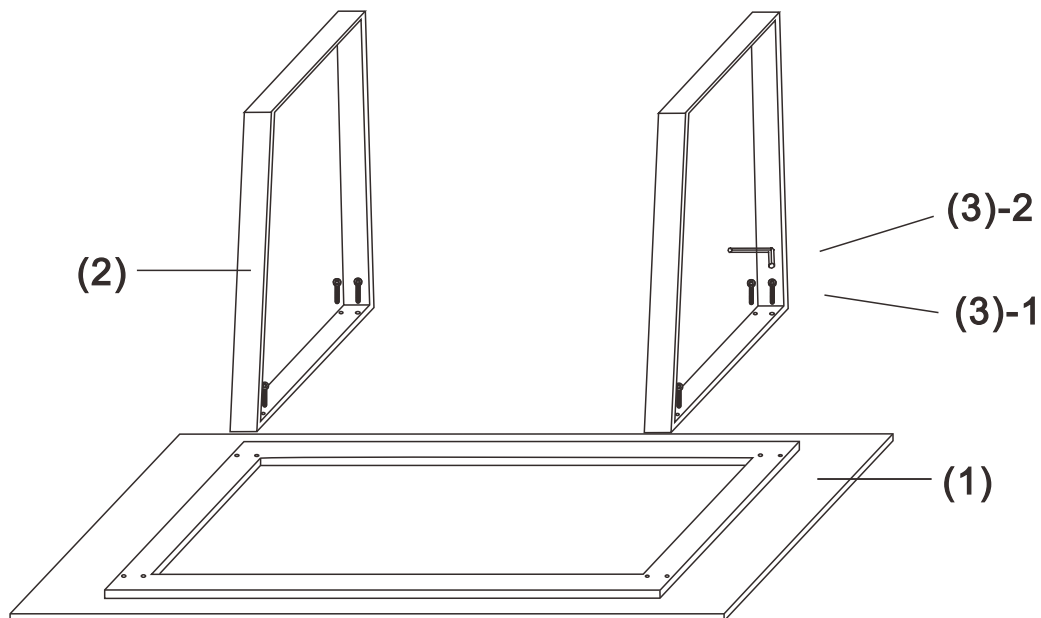
Enquiry:parts@zuomod.com

## PART LIST/Liste des pièces

| (1)  | (2)   | (3)   |
|--|---|---|
| <br>X1 | <br>X2 | 1.  X8 M8*30 |
|  |   | 2.  X1       |

## INSTRUCTION

**A**



**B**

