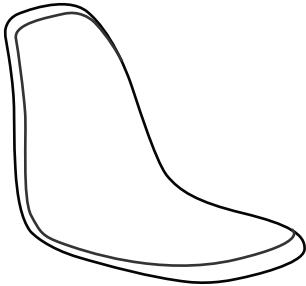
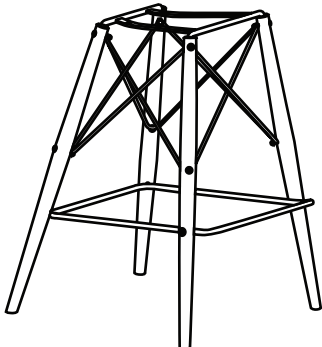











ITEM NAME / NOM D'ITEM: SHADOW BAR CHAIR

ITEM # / NO. ITEM: 100261

PARTS LIST/LISTE DES PIÈCES

(1)	(2)	(3)									
		<table border="0"> <tr> <td data-bbox="1062 488 1094 517">A.</td> <td data-bbox="1158 472 1273 539">  </td> <td data-bbox="1385 488 1442 517">× 4</td> </tr> <tr> <td data-bbox="1062 595 1094 624">B.</td> <td data-bbox="1158 584 1251 629">  </td> <td data-bbox="1385 595 1442 624">× 4</td> </tr> <tr> <td data-bbox="1062 685 1094 714">C.</td> <td data-bbox="1158 674 1235 719">  </td> <td data-bbox="1385 685 1442 714">× 4</td> </tr> </table>	A.		× 4	B.		× 4	C.		× 4
A.		× 4									
B.		× 4									
C.		× 4									

ASSEMBLY INSTRUCTIONS/INSTRUCTIONS D'ASSEMBLAGE

