

INSTALLATION INSTRUCTIONS

Model 521PHMS

FOR YOUR SAFETY WARNING: BE SURE THE ELECTRICITY TO THE WIRES YOU ARE WORKING ON IS SHUT OFF; EITHER THE FUSE IS REMOVED OR THE CIRCUIT BREAKER IS SHUT OFF. GENERAL You don't need special tools to install this fixture. Be sure to follow the steps in the order given. Under no circumstances should a fixture be hung on house electrical wires, nor should a swag type fixture be installed on a ceiling which contains a radiant type heating system. Read instructions carefully. If you are unclear as to how to proceed, consult a qualified electrician.

NOTE: Proper wiring is essential for the safe operation of this fixture.

TAKE OFF CAGE (Fig. 1)

1. Shut off the power at the circuit breaker and remove the old fixture, including the mounting hardware.
2. Carefully unpack your new fixture and lay out all the parts on a clear area. Take care not to lose any small parts necessary for installation.
3. Take off the cage (H) from bottom plate(I) by loosen mounting screw (F), then take off roof (E) from cage(H) by loosen mounting screw (D).

INSTALL GLASS (Fig. 2)

4. Install the glass panel into cage
Step 1: Place EVA Pad on the glass which show as Fig.2
Step 2: Put the glass from bottom cage to top
Step 3: Hold the glass by glass clip

Fig.1

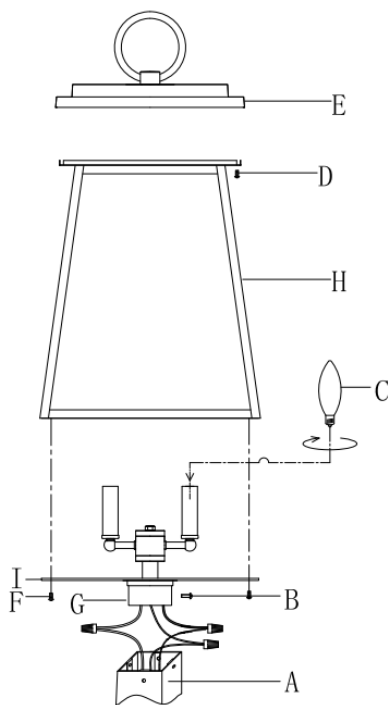
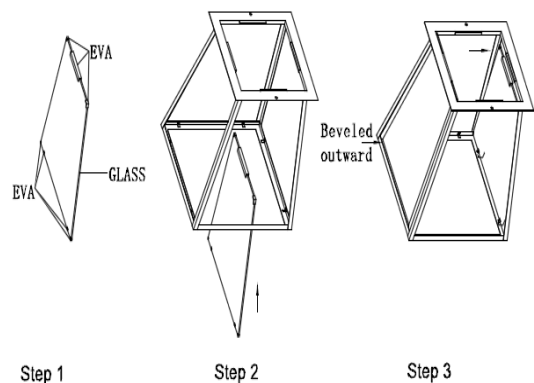


Fig.2



COMPLETING THE INSTALLATION (Fig.1)

5. Attach the cage (H) to bottom plate (I) by mounting screws(F)
6. Install the bulb (E12 Candelabra base, not included.) in accordance with the fixture's specification.
7. Attach the roof (E) to cage (H) by mounting screws(D).

CONNECTINE THE WIRES (Fig.3)

8. While supporting the fixture, connect the electrical wires as shown in figure 3. If your post has a ground wire (green or bare copper), connect the fixture ground wire to it. If not, consult your electrician for proper grounding. After the wires are connected, tuck them carefully inside the post (G).
9. Place the fixture onto pole, and secure with the 4 mounting screws (B)

DO NOT EXCEED THE MAXIMUM WATTAGE RATING!

Your installation is now complete. Return power to the junction box and test the fixture

Fig.1

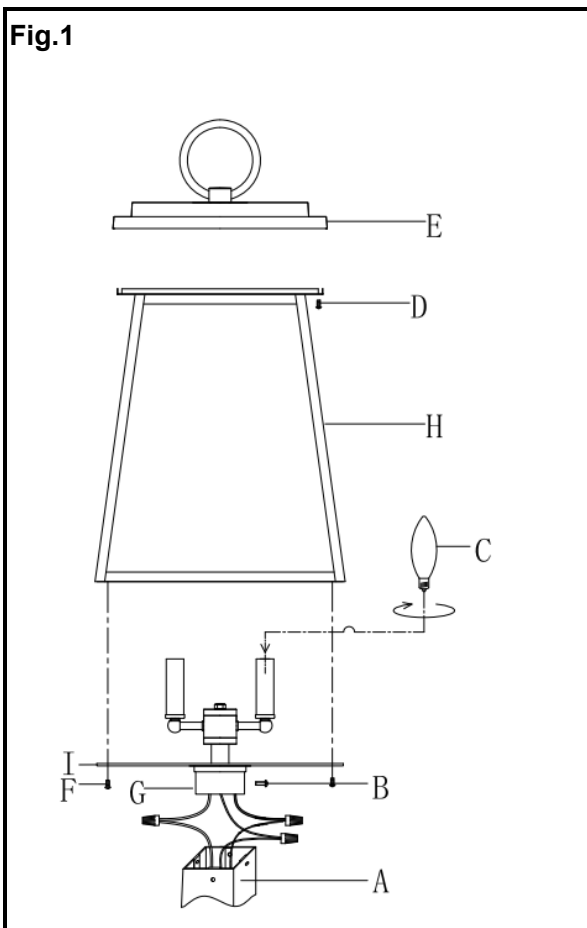
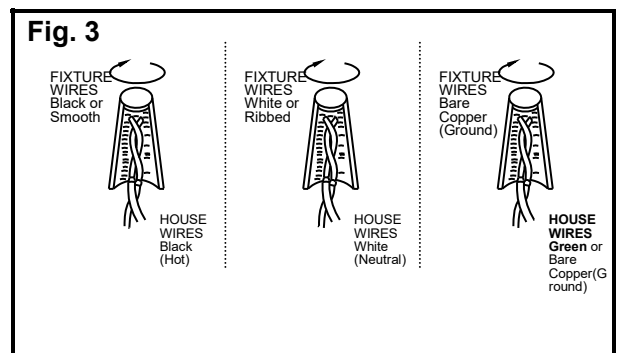


Fig. 3



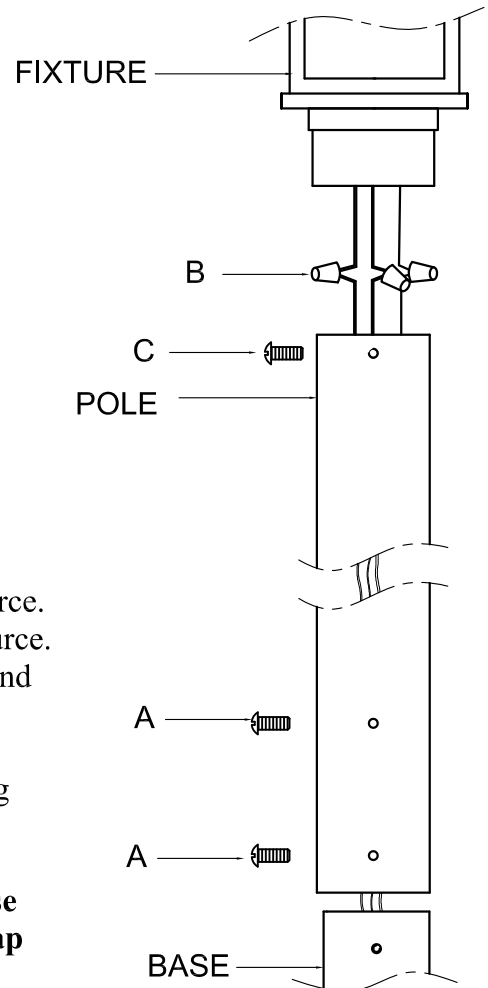
ASSEMBLY AND INSTALLATION INSTRUCTIONS

CAUTION: TO PREVENT POSSIBLE INJURY FROM ELECTRICAL SHOCK, POWER MUST BE TURNED OFF AT MAIN BREAKER PANEL OR FUSE BOX BEFORE INSTALLATION OF THIS ELECTRICAL DEVICE.

INSTALLATION STEPS:

- 1 Insert the underground electrical cable as required from the power source into the inlet hole near the base of the post and continue to feed the cable to the top of the post, allowing sufficient wire leads for splicing purposes.
- 2 Put the pole onto the base and secure with 8 stainless steel Screws (A).
- 3 Make wire connections with wire nuts:
 - a. The black wire from fixture to the black wire from power source.
 - b. The white wire from fixture to the white wire from power source.
 - c. Attach the ground wire from the fixture to the outlet box ground screw or to the green screw located on the crossbar.
4. Place the Fixture to the Post, and then secure with 4 Mounting Screws (C).

NOTE: If you need to reduce the height of the pole, please use electric tool to cut down to the height you need, and use the tap part (included) to drill hole and make screws thread.



ASSEMBLY AND INSTALLATION INSTRUCTIONS

We recommend that you check your local wiring codes and consult an electrical contractor before installation.

SAFETY ALERT!
FIND THE LOCATION OF ANY UNDERGROUND PLUMBING, POWER, LINES, AND OTHER LINES BEFORE DIGGING.

1 Anchor bolt set Installation: (Fig.2)

- a. Dig a hole 12" ~ 15" in diameter and to the required depth (Approx. 12" ~ 16" deep).
- b. Set the 2 Anchor Bolts (E) into the holes of the square installation plate (D).
- c. Pour concrete into the hole up to the level of the ground and sink the anchor set into the concrete. Make sure the top surface of the Square installation plate (D) is level to the ground surface, and the anchor bolts (E) protrude above the square installation plate (D) surface by 4- 1/4"

NOTE: Make sure the concrete is solid and dry before installing the lamp post. (Usually this takes up to 24 hours)

2 Attached the Base to the Anchor Bolts (E), and fastern with 2 washes (B) and 2 Cap nuts (A). (Fig.1)

3 Set the entire post and lantern assembly on to the Base, and secure the lamp post using 8 stainless steel screws (C).

