

WAC LIGHTING

Fixture Type: _____

Catalog Number: _____

Project: _____

Location: _____

Pop-In 4" Round 5CCT

New Construction Downlight

Model	Beam	Color Temp & CRI	Lumens	CBCP	Finish
R4DRDN	F 45°	9CS 2700K/3000K/3500K /4000K/5000K - 90	1080	1309	WT White

Example: **R4DRDN-F9CS-WT**

DESCRIPTION

Minimum profile downlight with driver and electrical connection box attached to fixture for easy remodel or new construction installation.

FEATURES

- 5-CCT Switchable between 2700K and 5000K
- Electrical box located on back of fixture to allow easy installation
- Sold as new construction, may be configured in field for remodel
- Driver concealed within the fixture
- 5 year warranty

SPECIFICATIONS

Construction:	Die-cast Aluminum with 20-gauge Cold Rolled Steel Junction Box
Power:	12W
Input:	120-277 VAC, 50/60Hz
Dimming:	ELV: 100-5% , TRIAC: 100-5%
Light Source:	Integrated LED
Lens:	Frosted TIR lens
Rated Life:	50000 Hours
Mounting:	New construction housings included with hanger bars
Cut Out:	4 1/8"
Finish:	Electrostatically Powder Coated: White
Ceiling Thickness:	1/2" - 1 1/2"
Operating Temp:	-4°F to 104°F (-20°C to 40°C)
Standards:	ETL, cETL, Wet Location Listed, Energy Star 2.0, Title 24 JA8-2019 Compliant, IC, Airtight

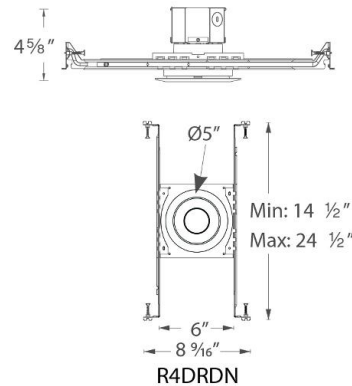


FINISHES:



White

LINE DRAWING:



R4DRDN