

Fixture Type: _____

Catalog Number: _____

Project: _____

Location: _____

Lotos

Adjustable Downlight 3000K

Model	Beam	Color Temp & CRI	Lumens	CBCP	Finish
R4ESAR	W 45°	930 3000K - 90	750	1050	WT White

Example: **R4ESAR-W930-WT**

FEATURES

- Multiple LED array for uniform illumination
- Rotatable multi-axis gimbal ring
- Driver included
- 5 year warranty

SPECIFICATIONS

Color Temp:	3000K
Input:	120 -277 VAC, 50/60Hz
CRI:	90
Dimming:	ELV: 100-5%, TRIAC: 100-5%
Rated Life:	50000 Hours
Mounting:	Heavy gauge retention clips secures fixture to ceiling
Standards:	ETL, cETL, Title 24 JA8-2016 Compliant, Energy Star 2.0 Wet Location Listed
Construction:	Steel with frosted TIR lens

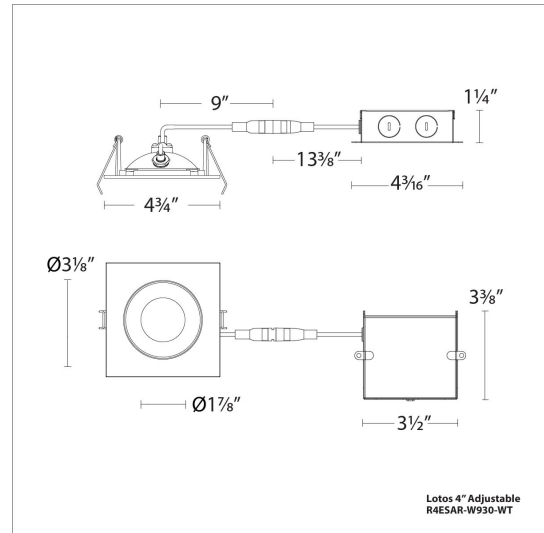


FINISHES



White

LINE DRAWING



Fixture Type: _____

Catalog Number: _____

Project: _____

Location: _____

Lotos

Adjustable Downlight 3000K

Model	Beam	Color Temp & CRI	Lumens	CBCP	Finish
R2ESAR-2	W 45° x 2	930 3000K - 90	530 x 2		WT White

Example: **R2ESAR-2-W930-WT**

FEATURES

- Multiple LED array for uniform illumination
- Rotatable multi-axis gimbal ring
- Multiple fixture heads with individual adjustability
- Driver included
- 5 year warranty

SPECIFICATIONS

Color Temp:	3000K
Input:	120 -277 VAC, 50/60Hz
CRI:	90
Dimming:	ELV: 100-5%, TRIAC: 100-5%
Rated Life:	50000 Hours
Mounting:	Heavy gauge retention clips secures fixture to ceiling
Standards:	ETL, cETL, Title 24 JA8-2016 Compliant, Energy Star 2.0 Wet Location Listed
Construction:	Steel with frosted TIR lens

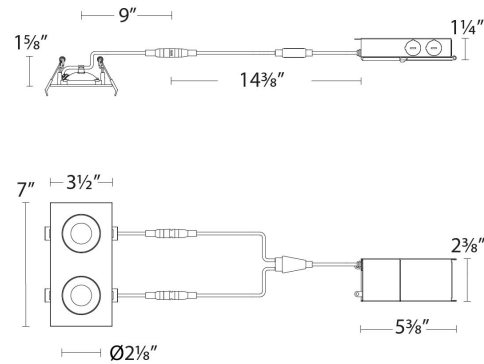


FINISHES



White

LINE DRAWING



WAC LIGHTING

Fixture Type: _____

Catalog Number: _____

Project: _____

Location: _____

Lotos

Adjustable Downlight 3000K

Model	Beam	Color Temp & CRI	Lumens	CBCP	Finish
R2ESAR-3	W 45° x 3	930 3000K - 90	530 x 3		WT White

Example: **R2ESAR-3-W930-WT**

FEATURES

- Multiple LED array for uniform illumination
- Rotatable multi-axis gimbal ring
- Multiple fixture heads with individual adjustability
- Driver included
- 5 year warranty

SPECIFICATIONS

Color Temp:	3000K
Input:	120 -277 VAC, 50/60Hz
CRI:	90
Dimming:	ELV: 100-5%, TRIAC: 100-5%
Rated Life:	50000 Hours
Mounting:	Heavy gauge retention clips secures fixture to ceiling
Standards:	ETL, cETL, Title 24 JA8-2016 Compliant, Energy Star 2.0 Wet Location Listed
Construction:	Steel with frosted TIR lens



FINISHES



White

LINE DRAWING

