

INSTALLATION INSTRUCTION

H Track Systems Monopoint

HMP

WAC LIGHTING
Responsible Lighting®

CAUTION:

Always turn off power at main switch prior to installation to prevent electrical shock.

- Do not install in damp or wet locations.
- Do not attempt to energize anything other than a track lighting fixture.

OVERVIEW:

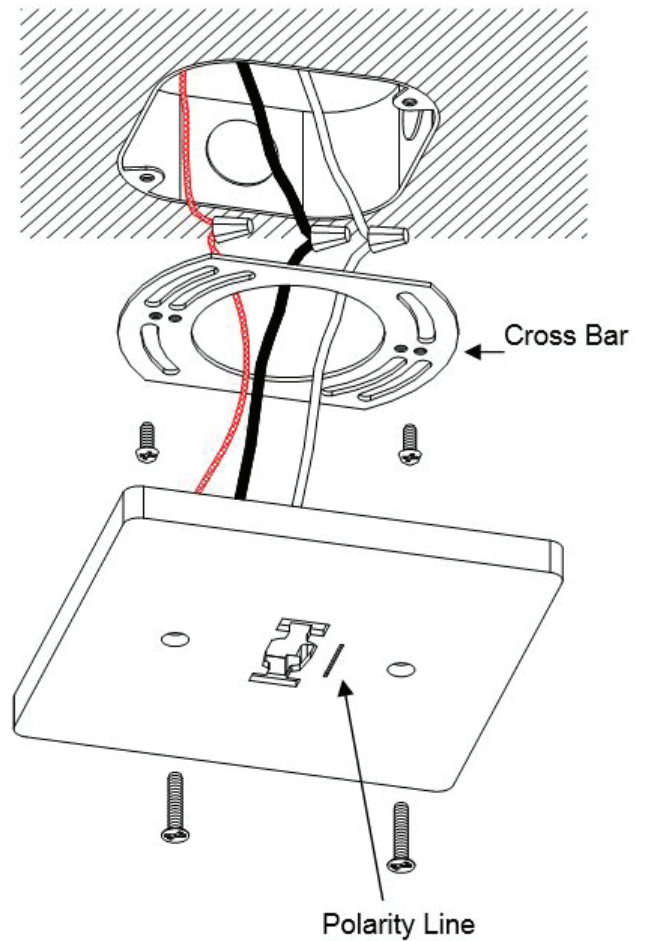
The HMP Monopoint attaches to a junction box and accepts any "H" series line volt and low voltage track head.

1. Attach the cross bar to a junction box using the screws supplied with the J-box. The screws go through the slotted holes to allow for adjustment.
2. Connect wires from the monopoint to the ceiling wires using wire nuts (not supplied). White wire joins to white, black to black. The bare copper ground wire joins to either a bare or green wire from the ceiling, or may be attached to a metal junction box.
3. Secure the monopoint cover to the cross bar using the colored screws (supplied).

INSTALLING TRACK FIXTURE:

NOTE: on one side of the monopoint the opening is identified with a line, this indicates the side with two contacts, to correspond to the contacts on the track head.

On the track fixture, pull down on the adapter case while pushing the contacts into the opening and turning 90 degrees.



INSTALLATION INSTRUCTION

L / J Track Systems Monopoint

LMP, JMP

WAC LIGHTING
Responsible Lighting®

CAUTION:

Always turn off power at main switch prior to installation to prevent electrical shock.

- Do not install in damp or wet locations.
- Do not attempt to energize anything other than a track lighting fixture.

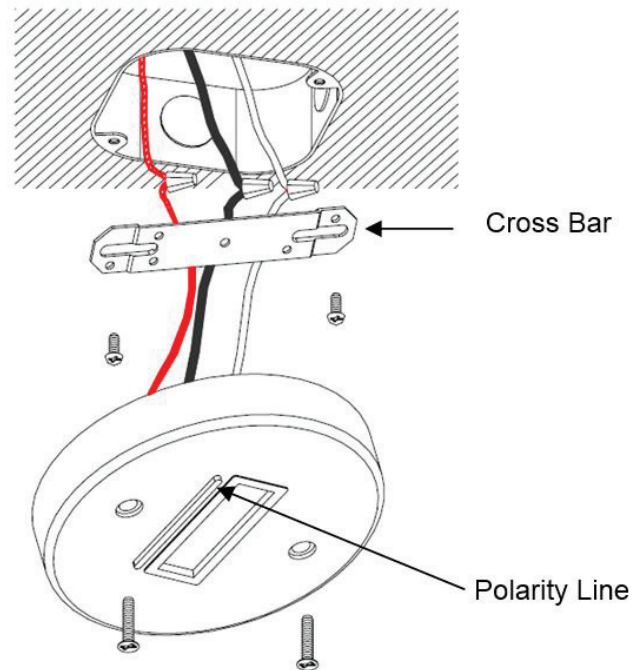
OVERVIEW:

1. The LMP Monopoint attaches to a junction box and UL listed accepts "L" series line volt and low voltage track fixtures, except heavy fixture.
2. Attach the cross bar to a junction box using the screws supplied with the J-box. The screws go through the slotted holes to allow for adjustment.
3. Connect wires from the monopoint to the ceiling wires using wire nuts (not supplied). White wire joins to white, black to black. The bare copper ground wire joins to either a bare or green wire from the ceiling, or may be attached to a metal junction box.
4. Secure the monopoint cover to the cross bar using the colored screws (supplied).

INSTALLING TRACK HEADS:

Note: on one side of the monopoint the opening is identified with a line, this indicates the side with two contacts, to correspond to the contacts on the track head.

Mount track head as you would to a track head. Pull down on the adapter case while pushing the contacts into the opening and turning 90 degrees.



*Approved for use with both line and low voltage track heads however the look of line voltage track heads are preferred.

For other low voltage models, see section on "Surface Mount" track heads.

WAC Lighting
www.waclighting.com
Phone (800) 526.2588 • Fax (800) 526.2585

Headquarters/Eastern Distribution Center
44 Harbor Park Drive • Port Washington, NY 11050
Phone (516) 515.5000 • Fax (516) 515.5050

Western Distribution Center
1750 Archibald Ave • Ontario, CA 91761
Phone (800) 526.2588 • Fax (800) 526.2585