

WAC LIGHTING

OCULUX

3 Light H Track Luminaire Kit



FEATURES

- **3 beam angle options included:**
50° beam film pre-installed, interchangeable 30° film supplied, remove film for 17° spot beam
- Integral driver and high output COB LED
- Outperforms halogen 65W MR16
- 350° horizontal and 90° vertical aiming
- 5 year warranty

SPECIFICATIONS

Construction: Die-cast aluminum with baffled front cover for glare control

Input Power: 3x 11W at 120VAC, 50/60Hz

Power Factor: 0.98*

THD(A): < 20% Total Harmonic Distortion (Current)*

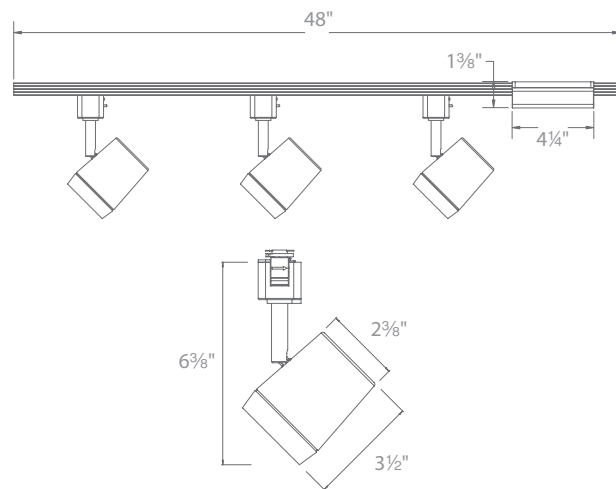
Light Source: High output 3 Step Mac Adam Ellipse COB, 90+ CRI
Rated Life of 50,000 hours at L70

Dimming: TRIAC or ELV Dimmable: 100-10%

Standards: ETL & cETL Dry Location Listed, Energy Star® 2.0,
CEC Title 24 2016 Compliant

Finish: Electrostatically powder coated Black and White

Operating Temperature: -4°F to 104°F (-20°C to 40°C)



Kit Includes

3	H-7011-930	White or Black Oculux LED Track Heads
1	HT4 (Includes two End Caps)	White or Black 4ft H-Track
1	HFC	White or Black Floating Canopy Connector

System	Model	Beam	Max Lumens*	Max CBCP*	Color Temp	CRI	Finish
H HTrack	7011/3	17°	890	4972	930 3000K	90	BK Black WT White
		30°	855	1961			
		50°	830	789			

* Data represented per fixture

Example: **H-7011/3-930-WT**