

R-401S-R-A

4" Line Voltage Remodel Housing
120V – Non-IC – Airtight Ready

WAC LIGHTING
Responsible Lighting®

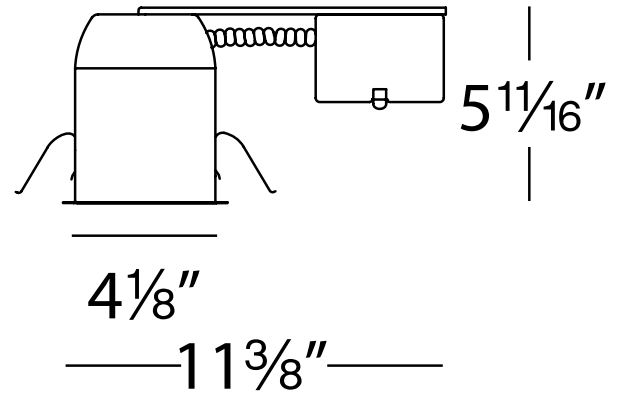


Fixture Type:

Catalog Number:

Project: _____

Location: _____



PRODUCT DESCRIPTION

Line voltage shallow remodel housing.

FEATURES

- Cutout: $4\frac{7}{16}$ "
- 3" clearance on all sides when insulation is present
- Thermal protector (included) protects against over-lamping
- Certified airtight per ASTM E283, when used with RGK gasket kit
- Rated for branch and chain wiring
- UL and CUL Listed
- J-Box and transformer accessible through ceiling
- Suitable for use in 2" X 6" joist installations

ORDER NUMBER

R-401S-R-A

COMPATIBLE TRIMS

Model	Description	Finish – (where there is a slash (/) the letters correspond as: interior finish/exterior finish)
R-421	Round Open Reflector Trim	Brushed Nickel (BN), Specular Clear/White (CL/WT)
R-420	Round Step Baffle Trim	Brushed Nickel (BN), Copper Bronze (CB), and White (WT/WT)
R-432	Gimbal Ring 20° Adjustment From Vertical	Brushed Nickel (BN), Copper Bronze (CB), and White (WT)
R-422	Shower Light with Glass Lens	White (WT)

See individual trim spec sheets for complete information.

WAC Lighting

www.waclighting.com

Phone (800) 526.2588 • Fax (800) 526.2585

Headquarters/Eastern Distribution Center

44 Harbor Park Drive • Port Washington, NY 11050

Phone (516) 515.5000 • Fax (516) 515.5050

Western Distribution Center

1750 Archibald Avenue • Ontario, CA 91760

Phone (800) 526.2588 • Fax (800) 526.2585