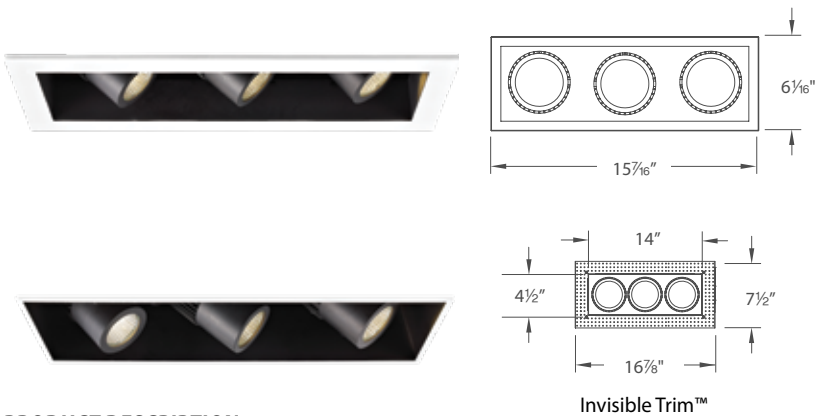


MT-4LD316 - 3 Lights

4" LED Precision Multiples Energy Star®

WAC LIGHTING

Responsible Lighting®



Fixture Type:

Catalog Number:

Project:

Location:

SPECIFICATIONS

Construction: Die-cast aluminum heat sink painted black. Trim, housing and junction box are 20 gauge steel. Frame and hanger bars are heavy gauge galvanized steel.

J-Box: Seven knockouts and four Romex® style wiring connectors provided for ease of installation. Rated for branch wiring.

Driver: Universal (120V - 277V)

Light Source: High output LED (included with housing)

Dimming: 0-10V dimmer. Dim from 100%-10%

Mounting: Supplied with hanger bars, adjustable from 14 1/2"-25" to accommodate various joist construction and grid sizes. Hanger bars include a captive mounting "screw-nail" for ease of installation. Accommodates surface up to 1" thick. 14 1/2" x 5 1/8" cutout with trim, 14 1/2" x 5 1/8" cutout for Invisible Trim™. See instruction sheet for details on installation using spackle ring.

Finish: Abrasion resistant powder coat paint in Black (BK).

Standards: ETL & cETL listed.

Lenses

		Color	
LENS-16	<i>Colored Lens</i>	AMB	Amber
		BLU	Blue
		GRN	Green
		RED	Red
		YEL	Yellow
LENS-16-UVF	<i>UV Filter Lens</i>		
LENS-16-FR	<i>Frosted Lens</i>		
LENS-16-SPR	<i>Spread Lens</i>		
LENS-16-BEL	<i>Beam Elongating Lens</i>		

PRODUCT DESCRIPTION

Retractable spot lights adjustable up to 90° from vertical

FEATURES

- Energy Star® rated
- Non-IC rated housings
- Invisible Trim™ is designed to sit flush with the ceiling for a clean, architectural look
- Spot and Flood beam spreads
- 90° vertical adjustment and 350° horizontal rotation
- Accepts one replacement lens
- 50,000 hour rated life
- 5 year WAC Lighting product warranty

FIXTURE PERFORMANCE

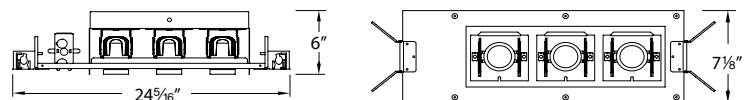
Model	Beam	Color Temp	Watts	Lumens	Efficacy	CRI
MT-4LD316N-S927	20°	2700K	40.5W	2370	59 Lm/W	90
MT-4LD316N-F927	40°			2355	58 Lm/W	
MT-4LD316N-S27	20°	2700K	48W	2760	58 Lm/W	85
MT-4LD316N-F27	40°			2715	57 Lm/W	
MT-4LD316N-S930	20°	3000K	40.5W	2445	60 Lm/W	90
MT-4LD316N-F930	40°			2400	59 Lm/W	
MT-4LD316N-S30	20°	3000K	48W	2880	60 Lm/W	85
MT-4LD316N-F30	40°			2820	59 Lm/W	
MT-4LD316N-S35	20°	3500K	48W	2925	61 Lm/W	85
MT-4LD316N-F35	40°			2880	60 Lm/W	
MT-4LD316N-S40	20°	4000K	48W	3300	69 Lm/W	85
MT-4LD316N-F40	40°			3240	68 Lm/W	

HOUSING ORDER NUMBER

Model	Beam	Color Temp	Rated	Finish
MT-4LD316N	S 20° F 40°	927 2700K (90 CRI)	Non-IC	BK Black
		27 2700K		
		930 3000K (90 CRI)		
		30 3000K		
		35 3500K		
		40 4000K		

MT-4LD316N - - - **BK**

Example: **MT-4LD316N-S27-BK**



TRIM ORDER NUMBER

Trim

MT-4LD316T-WT

Invisible Trim™

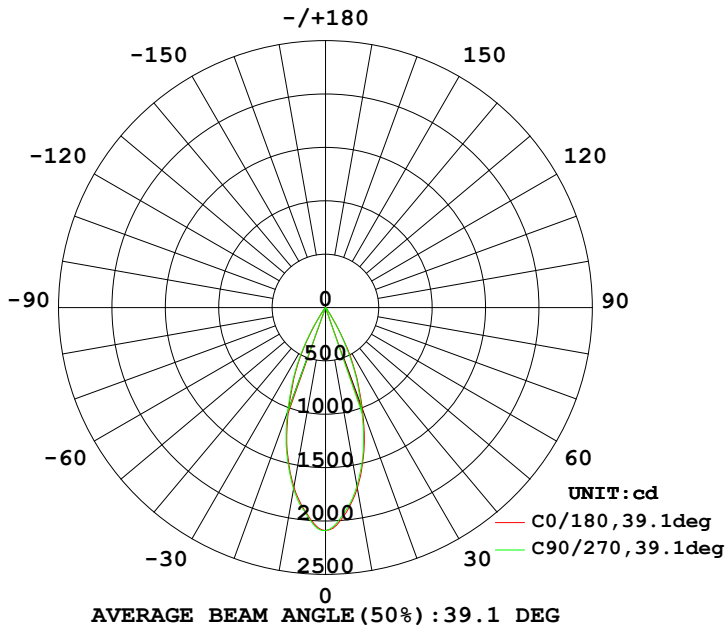
MT-4LD316TL-WT

WAC Lighting
www.waclighting.com
Phone (800) 526.2588 • Fax (800) 526.2585

Headquarters/Eastern Distribution Center
44 Harbor Park Drive • Port Washington, NY 11050
Phone (516) 515.5000 • Fax (516) 515.5050

Western Distribution Center
1750 Archibald Avenue • Ontario, CA 91760
Phone (800) 526.2588 • Fax (800) 526.2585

40° Flood Beam Angle



20° Spot Beam Angle

