

SOLORAIL™ - model: LM-EN12-75E

LED Surface Mount Transformer

WAC LIGHTING

Responsible Lighting®

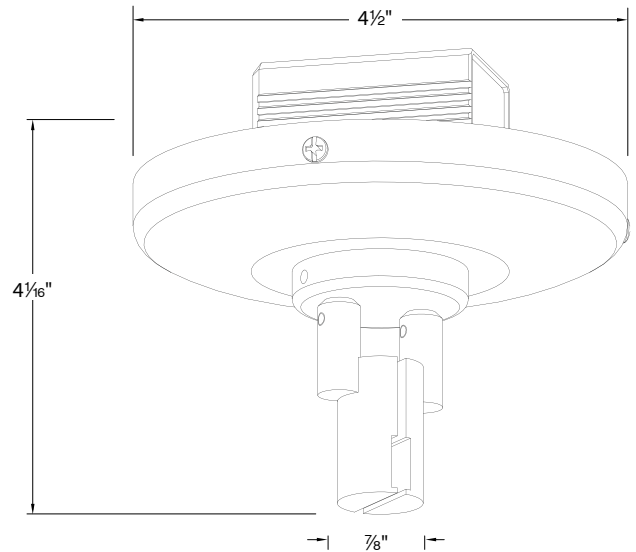


Fixture Type:

Catalog Number:

Project: _____

Location: _____



PRODUCT DESCRIPTION

WAC Solorail™ LED electronic transformer is the slimmest 75 watt surface mount canopy in the industry. It has the capacity to power up nine 9W LED fixtures in one run while using 4 times less energy than common electronic transformers. Constructed of die-cast aluminum, this transformer mounts to a standard 4" ceiling junction box. Can be used with 3" standoffs and power extender.

FEATURES

- 4½" Canopy
- Use with 3" (LM-X3) standoff
- 1W minimum load
- Voltage Drop at Run length 20'
- Dims with electronic low voltage dimmers.
- The surface mount canopy transformer is an ideal choice when the installation is on an existing ceiling.
- 5 year WAC Lighting product warranty

SPECIFICATIONS

Power: Input - 120V (60Hz), Output - 12V
1W Minimum, 75W Maximum load

Mounting: Installs to a standard junction box. Total weight = 2.3 lbs. The standard LM-EN12-75E configuration matches the height of the 3" standoffs

Finishes: Available in Dark Bronze (DB) and Brushed Nickel (BN)

Standards: UL & CUL listed

ORDER NUMBER

Model	Power	Finish
LM-EN12-75E	75W	BN <i>Brushed Nickel</i>
		DB <i>Dark Bronze</i>

LM-EN12-75E -

Example: **LM-EN12-75E-BN**

WAC Lighting

www.waclighting.com

Phone (800) 526.2588 • Fax (800) 526.2585

Headquarters/Eastern Distribution Center

44 Harbor Park Drive • Port Washington, NY 11050

Phone (516) 515.5000 • Fax (516) 515.5050

Western Distribution Center

1750 Archibald Avenue • Ontario, CA 91760

Phone (800) 526.2588 • Fax (800) 526.2585