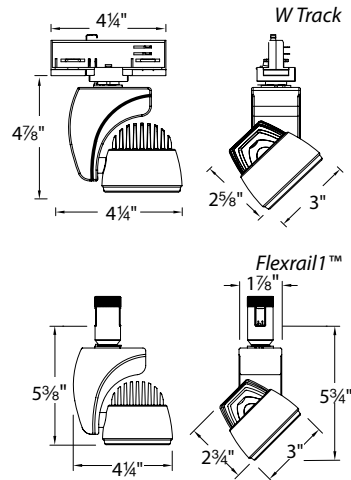


REFLEX – model: LED17

LEDme® Track / Rail Luminaire

WAC LIGHTING
Responsible Lighting®



Fixture Type:

Catalog Number:

Project:

Location:

PRODUCT DESCRIPTION

High performance and precise thermal management with robust die-cast construction makes this luminaire perfect for general, accent and wall wash applications in residential and commercial environments. For use with WAC Lighting's 120V Track system and compatible with other manufacturer's track (consult factory for specific brands).

FEATURES

- Energy Star® rated
- Accepts one lens/accessory
- 360° horizontal rotation and 180° vertical aiming
- Dim with ELV (electronic low voltage) dimmer (120V only)
- Free of projected heat, UV and IR radiation
- Replaceable LED module (consult factory)
- Alternate beam angles may be ordered separately
- 100,000 hour rated life
- 5 year WAC Lighting product warranty

FIXTURE PERFORMANCE

Model #	Beam	Voltage	Color Temp	Power	Lumens	Efficacy	CBCP	CRI
LED17S-27	20°	120V	2700K	17W	990	58 Lm/W	3440	85
LED17F-27	40°				910	54 Lm/W	1225	
LED17S-30	20°	120V	3000K	17W	990	58 Lm/W	3590	85
LED17F-30	40°				860	51 Lm/W	1145	
LED17S-35	20°	120V	3500K	17W	1025	60 Lm/W	3420	85
LED17F-35	40°				950	56 Lm/W	1280	
LED17S-40	20°	120V	4000K	17W	1125	66 Lm/W	3780	85
LED17F-40	40°				1035	61 Lm/W	1375	

SPECIFICATIONS

Construction: Die-cast aluminum.

Driver: 120VAC 50/60Hz, 700mA current.
High power factor >0.9. Max Load: 17W.

Light Source: High output LED.

Dimming: 120V only - Dim to 10% with electronic low voltage (ELV) dimmer.

Finish: Black (BK), Dark Bronze (DB), Platinum (PT) and White (WT) powder coat paint.

Standards: ETL & cETL Listed.

ORDER NUMBER

Track System	Model	Watt	Beam	Color Temp	Finish
WTK W Track 120V	LED17	17W	S 20° F 45°	27 2700K	BK Black
WHK W Track 277V				30 3000K	PT Platinum
HM1 Flexrail™				35 3500K	WT White
				40 4000K	DB Dark Bronze PT Platinum

LENSES & ACCESSORIES

Model	Color	Model	Finish
LENS-20 Color Lens	AMB Amber	FR	Frosted Lens
	BLU Blue		
	GRN Green		
	RED Red		
	YEL Yellow		
		SPR	Spread Lens
		BEL	Beam Elongating Lens



Example: **WTK-LED17F-35-WT**

WAC Lighting

www.waclighting.com
Phone (800) 526.2588 • Fax (800) 526.2585

Headquarters/Eastern Distribution Center

44 Harbor Park Drive • Port Washington, NY 11050
Phone (516) 515.5000 • Fax (516) 515.5050

Western Distribution Center

1750 Archibald Avenue • Ontario, CA 91760
Phone (800) 526.2588 • Fax (800) 526.2585