

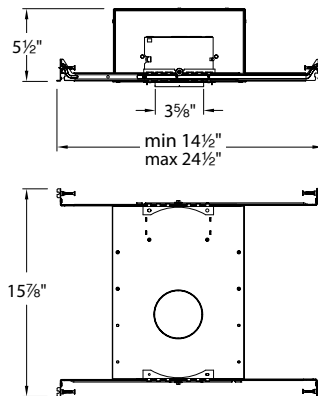
HR-2LED-H09D-ICA

2" Tesla™ New Construction Housing

120V – IC-Rated – Airtight

WAC LIGHTING

Responsible Lighting®



Fixture Type:

Catalog Number:

Project: _____

Location: _____

PRODUCT DESCRIPTION

IC-Rated, airtight, new construction housing.
For use with HR-2LED series trims.

FEATURES

- Cutout: 3 7/8"
- 120VAC 50/60Hz input
- IC-Rated
- Airtight
- May be dimmed to 10% with electronic low voltage (ELV) dimmer
- Provided with push-in wire connector for easy installation
- Accommodates ceiling thickness from 1/2"-3/4"
- UL and CUL Listed
- 5 year WAC Lighting product warranty

SPECIFICATIONS

Construction: Housing and junction box are 20 gauge steel. Frame and hanger bars are heavy gauge galvanized steel.

J-Box: Seven knockouts and four Romex® style wiring connectors provided for ease of installation. Rated for branch wiring.

Driver: Electronic driver, 120VAC 50/60Hz input, 14.3W output. Power factor >0.9. Dimming with thermal protection.

Mounting: Supplied with hanger bars, adjustable from 14 1/2"-24 1/2" to accommodate various joist construction and grid sizes. Hanger bars include a captive mounting "screw-nail" for ease of installation. Accommodates surfaces from 1/2"-3/4" thick. 3 7/8" cutout hole.

Dimming: May be dimmed to 10% with electronic low voltage (ELV) dimmer. Approved dimmers: Lutron Skylark SELV-300P-WH and Leviton Vizia VPE04.

Rating: IC-Rated: Suitable for direct contact with insulation. Airtight, meets ASTM standard E283-04 under California 2005 Building Energy Efficient Standards and WAC 50-11-0502 of the State of Washington.

Standards: UL & CUL Listed.

ORDER NUMBER

HR-2LED-H09D-ICA

COMPATIBLE TRIMS

Model #	Description	Beam	Color Temp	Finish
HR-2LD-ET109	Round, Open Reflector Downlight – Energy Star	16.5° (S), 30° (N), 53° (F)	2700K (27), 3000K (W) 3500K (35), 4000K (C)	Brushed Nickel (BN) Copper Bronze (CB) White (WT)
HR-2LED-T109	Round, Open Reflector Downlight	15° (S), 26° (N), 45° (F)		
HR-2LED-T209	Round, Shower Light	26° (N)		
HR-2LED-T309	Round, 0°-30° Adjustable	15° (S), 26° (N), 45° (F)		
HR-2LED-T409	Round, 30°-45° Adjustable	15° (S), 26° (N), 45° (F)		
HR-2LED-T509N	Square, Wall Wash	N/A		
HR-2LED-T709	Square, Open Reflector Downlight	15° (S), 26° (N), 45° (F)		

Example: **HR-2LD-ET109S-27-BN**

See individual trim spec sheets for complete information.

WAC Lighting

www.waclighting.com

Phone (800) 526.2588 • Fax (800) 526.2585

Headquarters/Eastern Distribution Center

44 Harbor Park Drive • Port Washington, NY 11050

Phone (516) 515.5000 • Fax (516) 515.5050

Western Distribution Center

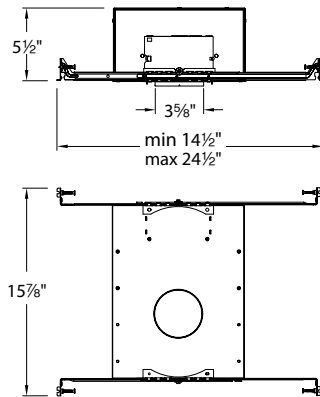
1750 Archibald Avenue • Ontario, CA 91760

Phone (800) 526.2588 • Fax (800) 526.2585

HR-2LED-H09-HICA

2" Tesla™ New Construction Housing
277V – IC-Rated – Airtight

WAC LIGHTING
Responsible Lighting®



Fixture Type:

Catalog Number:

Project: _____

Location: _____

PRODUCT DESCRIPTION

IC-Rated, airtight, new construction housing.
For use with HR-2LED series trims.

FEATURES

- Cutout: 3 7/8"
- 277VAC 50/60Hz input
- IC-Rated
- Airtight
- Provided with push-in wire connector for easy installation
- Accommodates ceiling thickness from 1/2" - 3/4"
- UL and CUL Listed
- 5 year WAC Lighting product warranty

ORDER NUMBER

HR-2LED-H09-HICA

SPECIFICATIONS

Construction: Housing and junction box are 20 gauge steel.
Frame and hanger bars are heavy gauge galvanized steel.

J-Box: Seven knockouts and four Romex® style wiring connectors provided for ease of installation. Rated for branch wiring.

Driver: Electronic driver, 277VAC 50/60Hz input, 10.5W output. Power factor >0.9.
Not dimmable

Mounting: Supplied with hanger bars, adjustable from 14 1/2" - 24 1/2" to accommodate various joist construction and grid sizes. Hanger bars include a captive mounting "screw-nail" for ease of installation. Accommodates surfaces from 1/2" - 3/4" thick. 3 7/8" cutout hole.

Rating: IC-Rated: Suitable for direct contact with insulation. Airtight, meets ASTM standard E283-04 under California 2005 Building Energy Efficient Standards and WAC 50-11-0502 of the State of Washington.

Standards: UL & CUL Listed.

COMPATIBLE TRIMS

Model #	Description	Beam	Color Temp	Finish
HR-2LD-ET109*	Round, Open Reflector Downlight – Energy Star	16.5° (S), 30° (N), 53° (F)	2700K (27), 3000K (W) 3500K (35), 4000K (C)	Brushed Nickel (BN) Copper Bronze (CB) White (WT)
HR-2LED-T109	Round, Open Reflector Downlight	15° (S), 26° (N), 45° (F)		
HR-2LED-T209	Round, Shower Light	26° (N)		
HR-2LED-T309	Round, 0°-30° Adjustable	15° (S), 26° (N), 45° (F)		
HR-2LED-T409	Round, 30°-45° Adjustable	15° (S), 26° (N), 45° (F)		
HR-2LED-T509N	Square, Wall Wash	N/A		
HR-2LED-T709	Square, Open Reflector Downlight	15° (S), 26° (N), 45° (F)		

Example: HR-2LD-ET109S-27-BN

See individual trim spec sheets for complete information.

*NOT Energy Star rated when using 277V housing.

WAC Lighting
www.waclighting.com
Phone (800) 526.2588 • Fax (800) 526.2585

Headquarters/Eastern Distribution Center
44 Harbor Park Drive • Port Washington, NY 11050
Phone (516) 515.5000 • Fax (516) 515.5050

Western Distribution Center
1750 Archibald Avenue • Ontario, CA 91760
Phone (800) 526.2588 • Fax (800) 526.2585