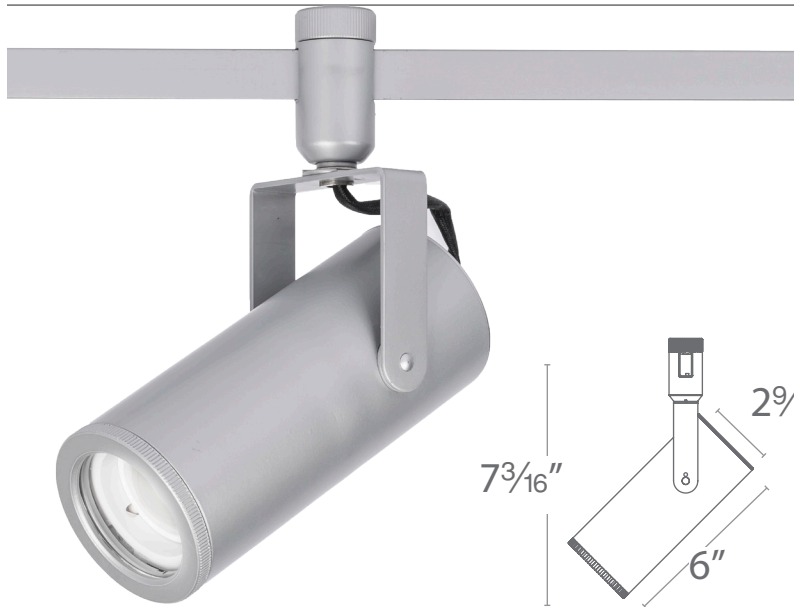


SILO X20 – model: 2020

Flexrail1™ Luminaire

WAC LIGHTING

Responsible Lighting®

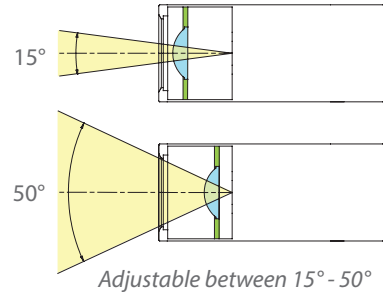


Fixture Type:

Catalog Number:

Project:

Location:



PRODUCT DESCRIPTION

Silo 2020 offers superior light output in a small, unobstructive design with wide range of dynamic beam adjustment. Engineered style single source LED, optical and thermal management in a slender die-cast housing. Ideal for residential, retail, and lower mounting height commercial application.


FEATURES

- Continuously adjustable beam angles from 15° to 50°
- Die-cast aluminum construction with rotatable front face
- Integral LED and driver
- Outperforms halogen 75W MR16
- Accommodates one lens and one glare control accessory
- 50,000 hour rated life
- 5 year WAC Lighting product warranty

SPECIFICATIONS

- Construction:** Die-cast aluminum with removable front cap for easy change of lenses or accessories
- Input:** 120VAC 50/60Hz
- Power:** 20W
- Light Source:** High output COB LED
- Dimming:** 100%-5% electronic low voltage (ELV) dimmer
- Standards:** UL & cUL Listed
- Finish:** Powder coated

ORDER NUMBER

Track	Model	CRI	Color Temp	Beam	Lumens	CBCP	Finish				
HM1	Flexrail1™	2020	90	927	2700K	15°	715	6230			
					50°	985	1180				
				930	3000K	15°	785	6840			
						50°	1080	1295			
				935	3500K	15°	810	7060			
						50°	1115	1335			
				940	4000K	15°	840	7310			
						50°	1155	1385			
										PT	Platinum 

HM1-2020-930-PT

Accommodates one lens accessory and one glare control accessory, or one framing projector

FLAT LENS

Amber	LENS-16-AMB
Blue	LENS-16-BLU
Green	LENS-16-GRN
Red	LENS-16-RED

FLAT LENS

UV Filter	LENS-16-UVF
Frosted	LENS-16-FR
Spread	LENS-16-SPR
Beam Elongating	LENS-16-BEL

GLARE CONTROL

Cross louver - platinum	LENS-16P-CRL-PT
Snoot - platinum	LENS-16-SNOOT-PT
Honeycomb Louver	LENS-16-HCL

FRAMING PROJECTOR

Framing Projector	FP-K-BK
Accessories	

WAC Lighting

www.waclighting.com

Phone (800) 526.2588 • Fax (800) 526.2585

Headquarters/Eastern Distribution Center

44 Harbor Park Drive • Port Washington, NY 11050

Phone (516) 515.5000 • Fax (516) 515.5050

Western Distribution Center

1750 Archibald Avenue • Ontario, CA 91760

Phone (800) 526.2588 • Fax (800) 526.2585