

Wellfleet I Arm Wall

CW1121, CW1131, CW1141 | 1.0

GENERATION LIGHTING WALL

GENERAL PRODUCT INFORMATION:

These fixtures are intended to be installed utilizing NEC compliant junction boxes.

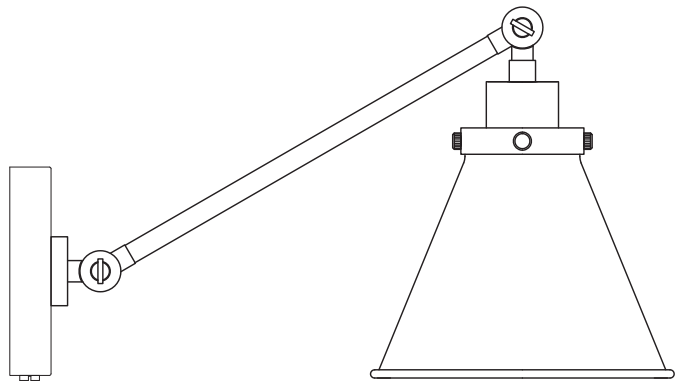
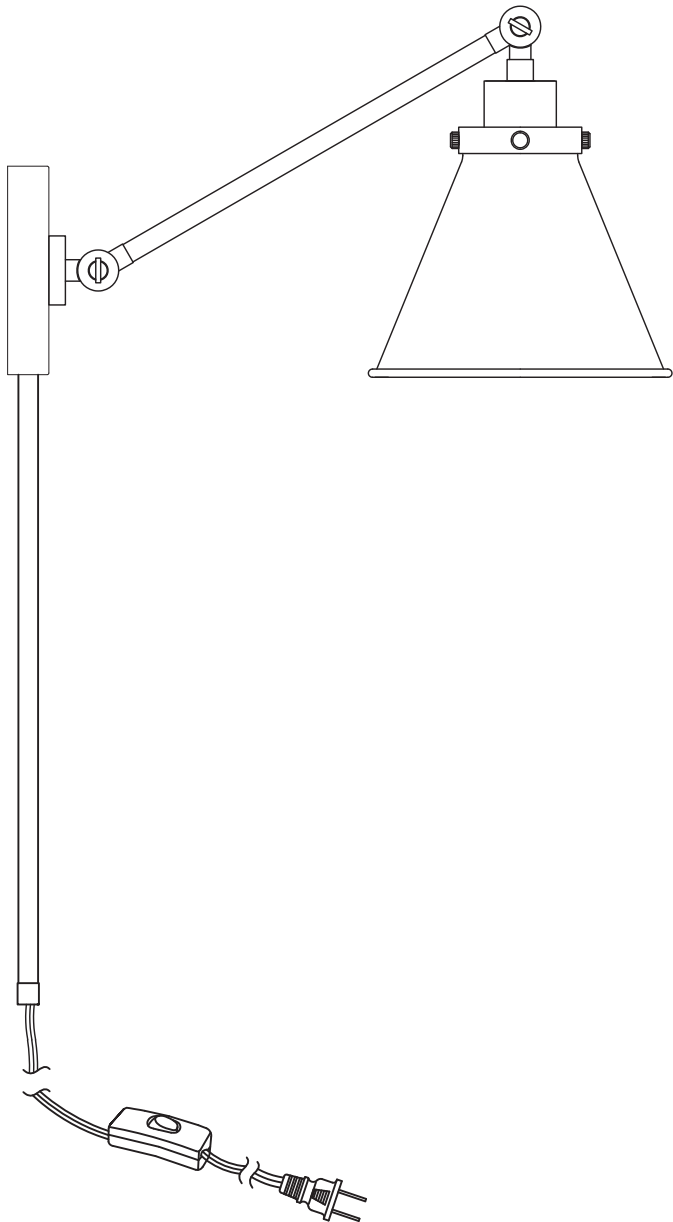
This product is safety listed for damp locations.

Incandescent version may be dimmed with a standard incandescent dimmer. LED version may be dimmed with a LED dimmer. Consult lamp manufacturer for additional information.

This instruction shows a typical installation.

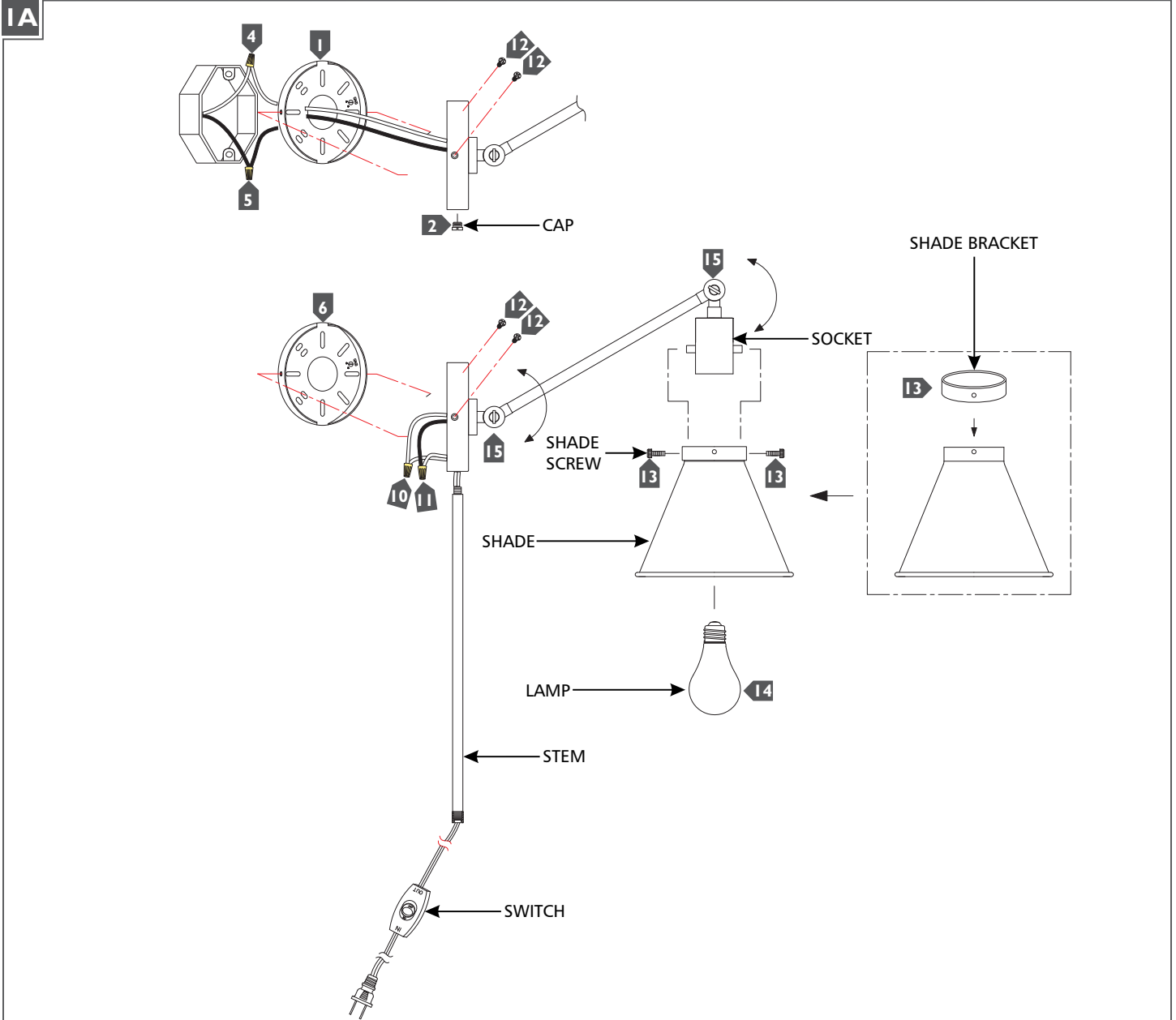
SAVE THESE INSTRUCTIONS!

CAUTION - RISK OF FIRE
This product must be installed in accordance with the applicable installation code by a person familiar with the construction and operation of the product and the hazards involved.
Use minimum 90°C supply conductors.



GENERATION LIGHTING
7400 Linder Ave., Skokie, IL 60077
T 847.410.4400 | F 847.410.4500
www.generationlighting.com

Install the Fixture



- 1 For Standard Wiring:**
Secure the mounting plate to the junction box.
- 2** Screw the cap into the hole in the bottom of the backplate.
- 3** Connect the fixture ground wire to a suitable ground in accordance to local electrical codes.
- 4** Connect the white fixture wire to the neutral power line wire with a wire nut.
- 5** Connect the black fixture wire to the hot power line wire with a wire nut.
- 6 For Plug-in:**
Secure the mounting plate to the wall.
- 7** Feed the cord though the stem and through the hole in the bottom of the backplate.
- 8** Screw the stem into the bottom of the backplate.
- 9** Connect the fixture ground wire to a suitable ground in accordance to local electrical codes.
- 10** Connect the white fixture wire to the neutral cord wire (square and/or rigid) with a wire nut.
- 11** Connect the black fixture wire to the hot cord wire (round and/or smooth) with a wire nut.
- For Both:**
- 12** Properly place all wires and wire nut connections into the junction box/fixture base, mount the fixture onto the mounting plate/fixture bracket, and secure it in place using the fixture screws.
- 13** Install the shade by aligning the holes on the shade with the holes on the bracket and the socket, then secure in place using the shade screws.
- 14** Screw the lamp into the socket. Refer to the label on the socket for Max Wattage Information.
- 15** Adjust the fixture arm as needed.