

Rossie Table Lamp

ET1381 | 1.0

GENERATION LIGHTING PORTABLE

General Product Information:

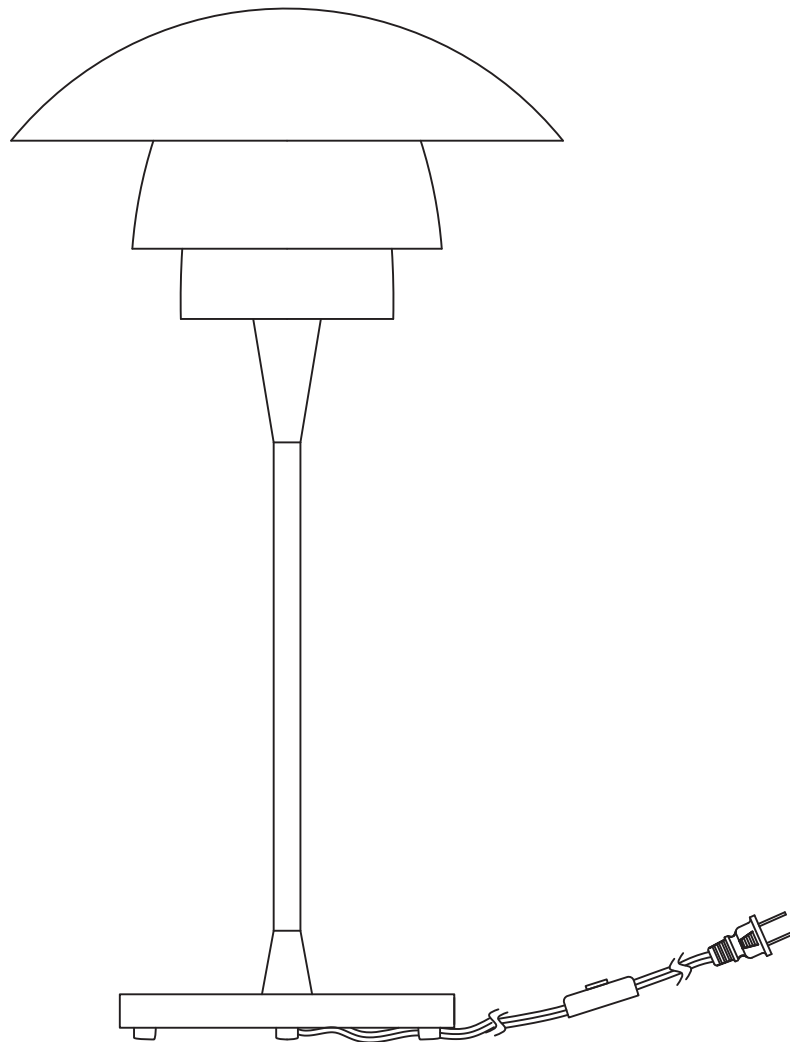
This product is safety listed for dry locations only.

This instruction shows a typical installation.

SAVE THESE INSTRUCTIONS!

IMPORTANT SAFETY INSTRUCTIONS

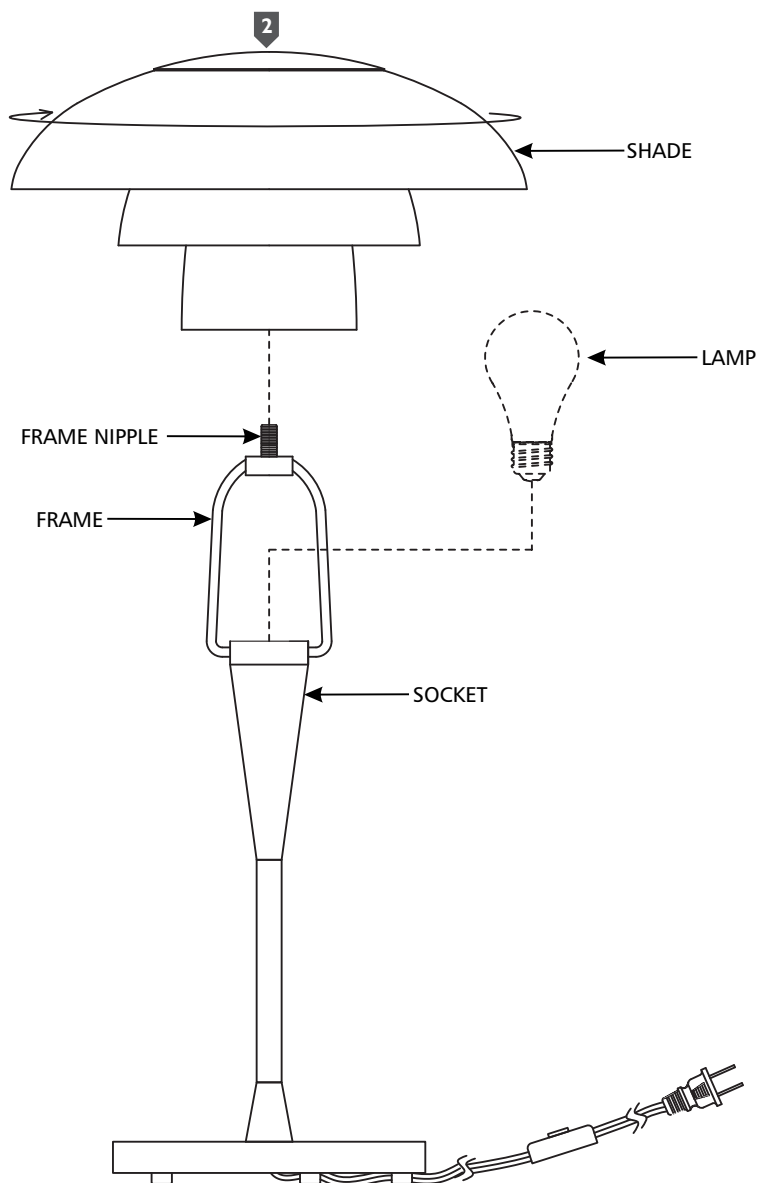
This portable lamp has a polarized plug (one blade is wider than the other) as a safety feature to reduce the risk of electric shock. This plug will fit in a polarized outlet only one way. If the plug does not fit fully in the outlet, reverse the plug. If it still does not fit contact a qualified electrician. Never use with an extension cord unless plug can be fully inserted. Do not attempt to defeat this safety feature.



GENERATION LIGHTING
7400 Linder Ave., Skokie, IL 60077
T 847.410.4400 | F 847.410.4500
www.generationlighting.com

Assemble the Lamp

IA



- 1 Screw the lamp into the socket. Refer to the label on the lamp socket for Max Wattage Information.
- 2 Place the shade onto the frame nipple, then secure in place by screwing it onto the frame nipple.