

Jacobsen Table and Floor Lamp

ET1241, ET1252 | 1.0

GENERATION LIGHTING

Portable

GENERAL PRODUCT INFORMATION:

This product is safety listed for dry locations only.

This instruction shows a typical installation.

IMPORTANT SAFETY INSTRUCTIONS

This portable lamp has a polarized plug (one blade is wider than the other) as a safety feature to reduce the risk of electric shock. This plug will fit in a polarized outlet only one way. If the plug does not fit fully in the outlet, reverse the plug. If it still does not fit contact a qualified electrician. Never use with an extension cord unless plug can be fully inserted. Do not attempt to defeat this safety feature.

GENERATION LIGHTING

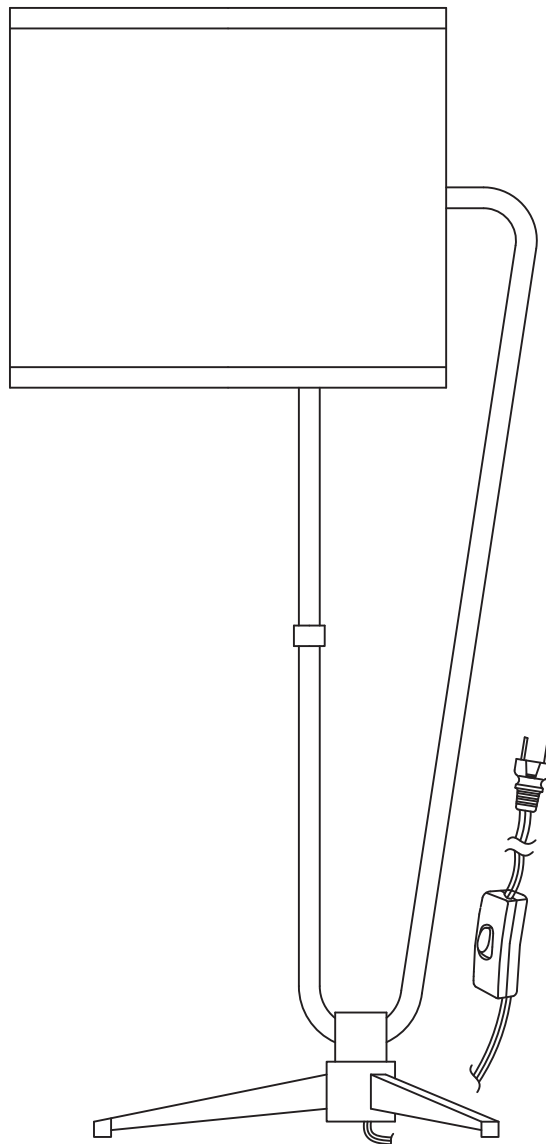
7400 Linder Ave, Skokie, IL 160077

800.969.3347

www.generationlighting.com

© 2019 Generation Lighting. All rights reserved.

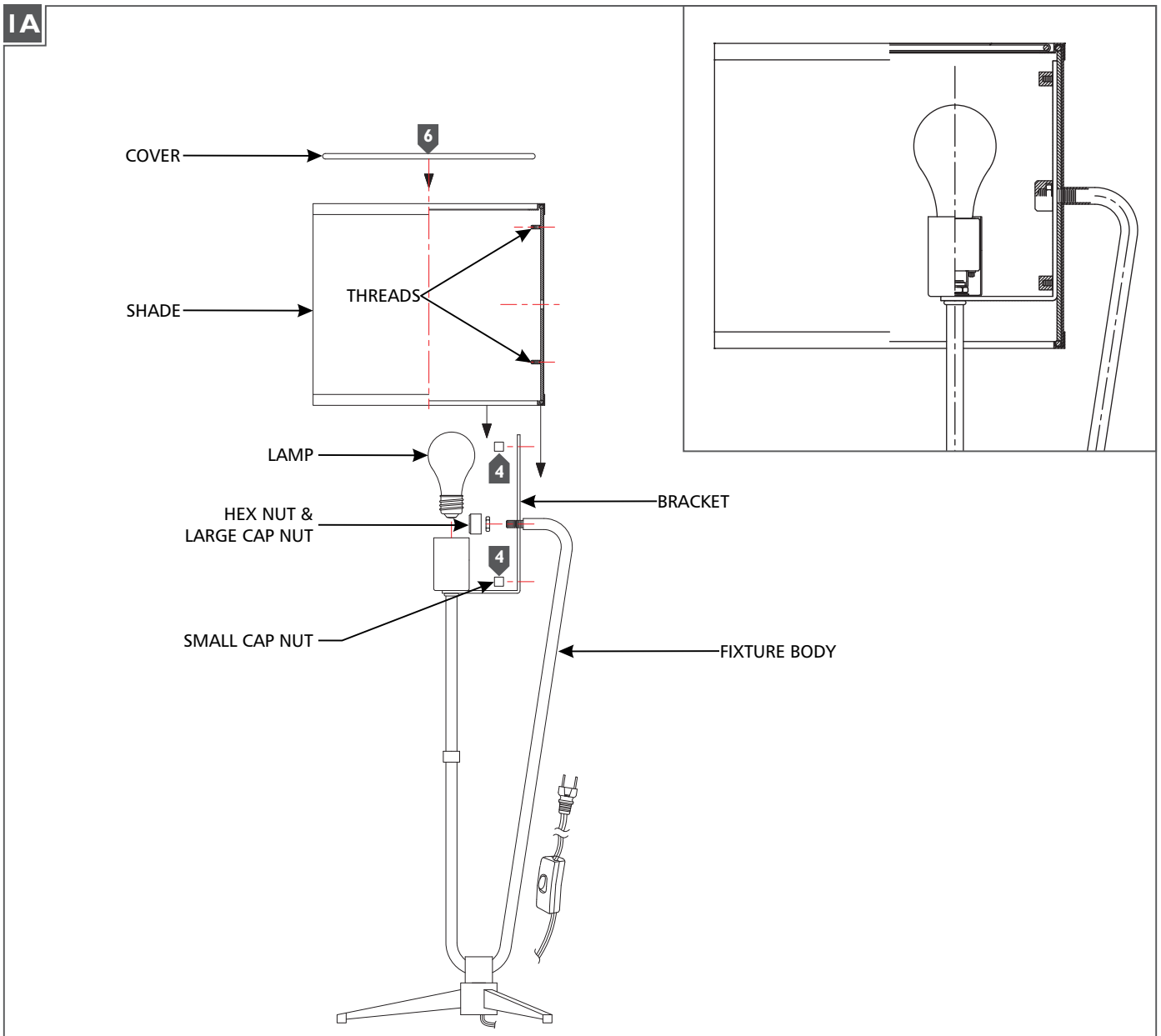
The "Generation Lighting" graphic is a registered trademark of Generation Lighting. Generation Lighting reserves the right to change specifications for product improvements without notification.



SAVE THESE INSTRUCTIONS!

Install the Fixture

IA



- 1 If necessary, remove the nipple, hex nut and large cap from the fixture body.
- 2 Pull the fixture body and bracket apart and insert the shade between them as shown in the diagram. **NOTE: Make sure the trim with the step is on the top of the shade. Then insert the threads of the shade into the top and bottom holes of the bracket.**
- 4 Adjust the shade until straight. Screw the nipple into the bracket and the fixture body and secure them in place using the hex nut, then tighten all the small and large cap nuts.
- 5 Screw the lamp into the socket. Refer to the label on the lamp socket for Max Wattage Information.
- 6 Install the cover to the top of the shade.