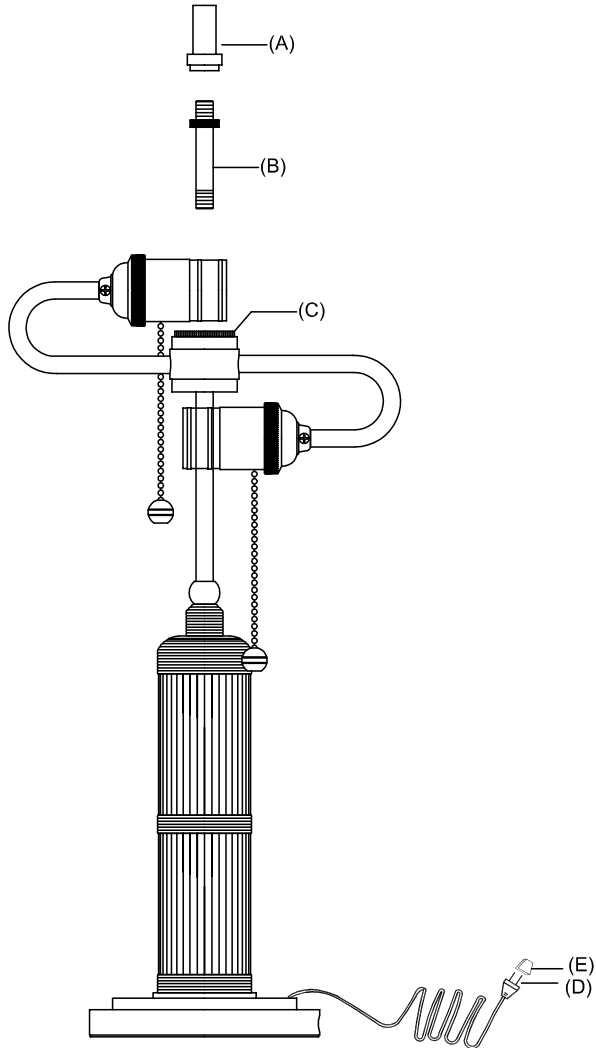


TOB3000

ASSEMBLY & INSTALLATION GUIDE

INSPECT ITEM CAREFULLY BEFORE ATTEMPTING TO INSTALL. IF THERE IS ANY DAMAGE OR OBVIOUS DEFECT, DO NOT INSTALL.

ITEM MAY NOT BE RETURNED ONCE IT HAS BEEN INSTALLED.



1. Thread shade support tube (B) into top threaded opening of part (C).
2. Remove finial (A) from shade support tube (B), place lamp shade (not included) over top threaded section of shade support tube (B), and secure with finial (A).
3. Insert light bulb into socket.
4. Remove plug cover (E) from polarized plug (D).
5. Plug lamp into wall outlet.