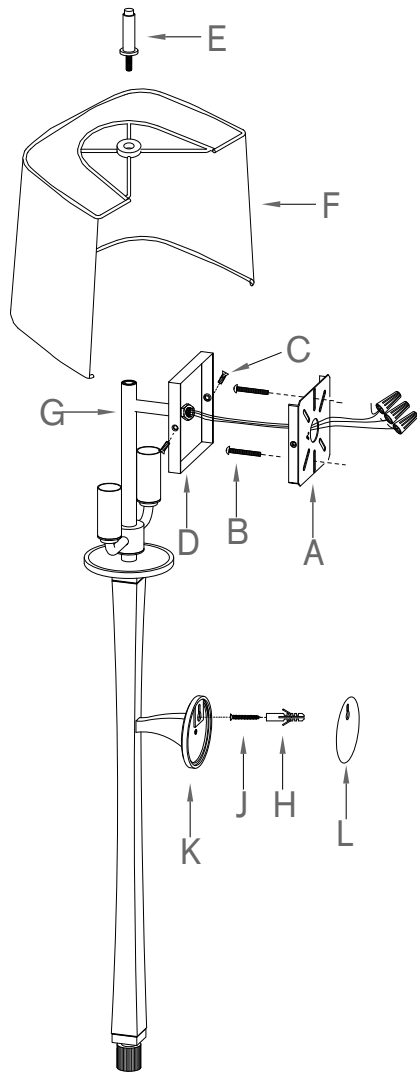


## ASSEMBLY INSTRUCTIONS



### Edie Baluster Sconce Item # TOB2741

**WE RECOMMEND INSTALLATION OF THIS LIGHTING FIXTURE BE DONE BY A LICENSED ELECTRICIAN.**

**WARNING \*\*\* SWITCH OFF THE MAIN ELECTRICAL SUPPLY FROM THE MAIN FUSE BOX/CIRCUIT BREAKER BEFORE INSTALLATION.**

**INSPECT ITEM CAREFULLY BEFORE ATTEMPTING TO INSTALL. IF THERE IS ANY DAMAGE OR OBVIOUS DEFECT, DO NOT INSTALL.**

**ITEM MAY NOT BE RETURNED ONCE IT HAS BEEN INSTALLED.**

1. Carefully remove all parts from the carton.
2. Remove mounting plate (A) from base of light fixture (D) by removing base screws (C) in counter-clockwise direction.
3. Affix mounting plate (A) to wall outlet box with mounting screws (B) provided.
4. Place light fixture on the wall outlet, make sure both upper base (D) and lower base (K) are vertical to each other, mark outer line for base (K) on the wall. Remove the light fixture.
5. Place cardboard (L) template on the marked area, use it as a template, mark a point for on the cross mark the wall. Remove the cardboard (L) template.
6. Drill small hole on the marked point, the hole should be big enough for plastic anchor (H). Push the plastic anchors (H) into the hole on the wall.
7. Insert screw (J) into plastic anchor, make sure the screw head 1/8" thread is visible.
8. Attach ground (green) wire to ground wire from wall outlet box (usually green or copper in color), fasten together with a plastic wire connector. Tightly wrap the wire connector with electrical tape. so the end of the connector is sealed. IT IS IMPERATIVE THAT THE OUTLET BOX IN YOUR HOME BE PROPERLY GROUNDED.
9. Connect neutral (white) fixture wire coming from fixture base to neutral (usually white) outlet wire. Fasten both wires together with a plastic wire connector and tightly wrap the wire connector with electrical tape.
10. Repeat the procedure with the hot (black) wires. Always make sure that no wire strands are left outside the connectors. DO NOT REVERSE THE HOT AND NEUTRAL CONNECTIONS OTHERWISE SAFETY WILL BE COMPROMISED.
11. Hook base (K) onto screw (J), Attach fixture base (D) to the affixed mounting plate (A) and tighten with base screws (C).
12. Remove finial (E) from pole (G), attach shade (F) to the top of pole (G) and secure with finial (E).
13. Insert light bulbs (not included) Type C, maximum 60 watt into sockets.

\*\*\* Clean with a dry, soft cloth only. Use no harsh abrasives or chemical agents.