

ASSEMBLY INSTRUCTIONS

8" Cabinet Maker's Picture Light

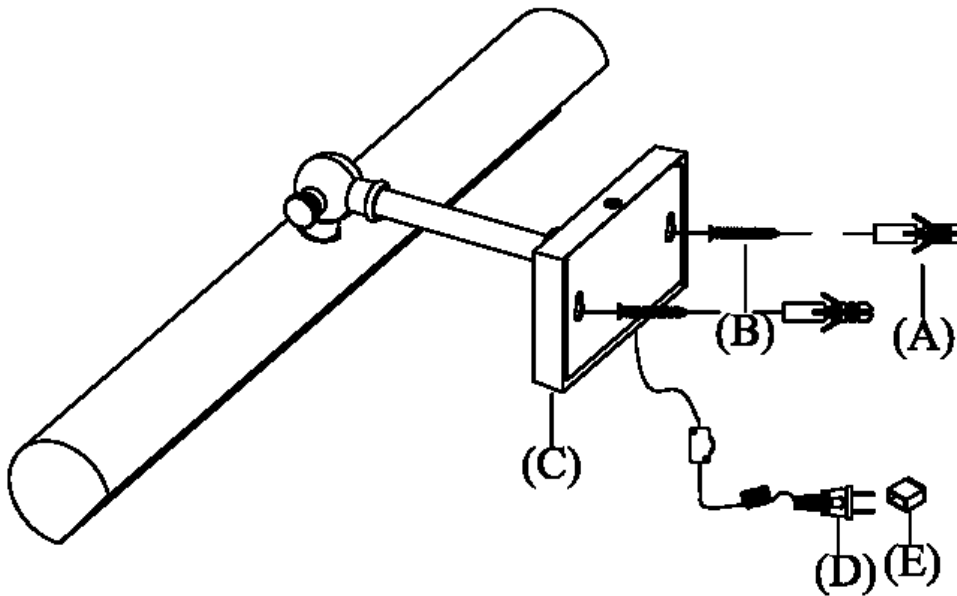
Item # SL2704

WE RECOMMEND INSTALLATION OF THIS LIGHTING FIXTURE BE DONE BY A LICENSED ELECTRICIAN.

WARNING * SWITCH OFF THE MAIN ELECTRICAL SUPPLY FROM THE MAIN FUSE BOX/CIRCUIT BREAKER BEFORE INSTALLATION.**

INSPECT ITEM CAREFULLY BEFORE ATTEMPTING TO INSTALL. IF THERE IS ANY DAMAGE OR OBVIOUS DEFECT, DO NOT INSTALL.

ITEM MAY NOT BE RETURNED ONCE IT HAS BEEN INSTALLED.



PORTABLE ASSEMBLY

1. Remove all parts carefully from the box.
2. Measure center points between both mounting holes at back of fixture base (C). Mark two points with same distance on the wall, make sure they are vertical with each other.
3. Drill small holes at both points, hole should be big enough to accommodate with plastic anchors (A). Install plastic anchors (A) into the holes in the wall.
4. Insert mounting screws (B) into plastic anchors (A), make sure screw head 1/8" threads are visible.
5. Hook fixture base (C) onto both screws (B).
6. Insert light bulbs (not included) into sockets.
7. Remove plastic cover (E) from plug (D).
8. Plug lamp into wall outlet.



ASSEMBLY INSTRUCTIONS

8" Cabinet Maker's Picture Light

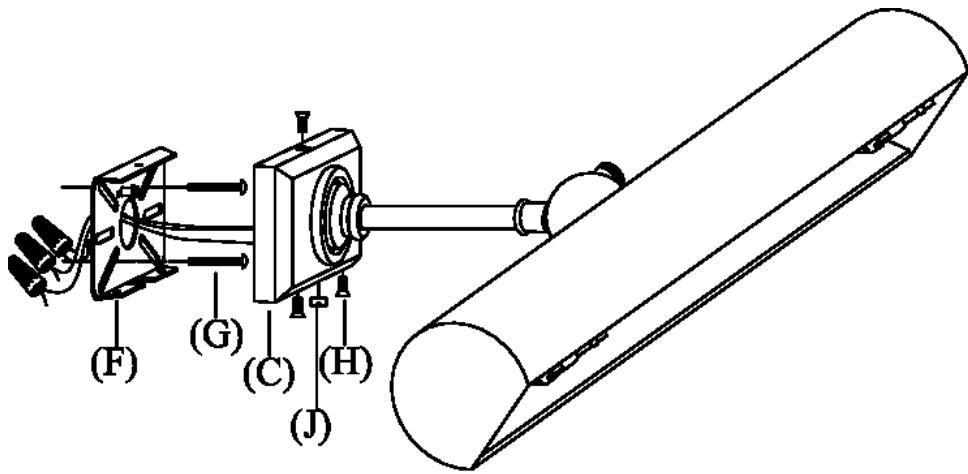
Item # SL2704

WE RECOMMEND INSTALLATION OF THIS LIGHTING FIXTURE BE DONE BY A LICENSED ELECTRICIAN.

WARNING * SWITCH OFF THE MAIN ELECTRICAL SUPPLY FROM THE MAIN FUSE BOX/CIRCUIT BREAKER BEFORE INSTALLATION.**

INSPECT ITEM CAREFULLY BEFORE ATTEMPTING TO INSTALL. IF THERE IS ANY DAMAGE OR OBVIOUS DEFECT, DO NOT INSTALL.

ITEM MAY NOT BE RETURNED ONCE IT HAS BEEN INSTALLED.



HARD WIRE INSTALLATION

1. Follow step 1 & 2 of PORTABLE ASSEMBLY.
2. Guide wiring from wall outlet through center hole in mounting plate (F).
3. Affix mounting plate (F) to wall outlet box with mounting screws (G) provided.
4. Cut the wire twelve inches away from fixture base (C).
5. Insert the DW plug (J) to the threaded hole vacated by the cord.
6. Connect the ground screw (green color) of the fixture to the bare copper ground wire in the outlet box. The insulation on the fixture cord that was cut to twelve inches in step 3 has a smooth side and a ribbed side. Connect the smooth wire to the black wire in the outlet box (not shown in diagram). Connect the ribbed wire to the white wire in the outlet box.
7. Attach fixture base (C) to the affixed mounting plate (F), and secure with base screws (H).
8. Insert light bulbs (not included) into sockets.