

ASSEMBLY INSTRUCTIONS

Adele Three-Tier Waterfall Chandelier

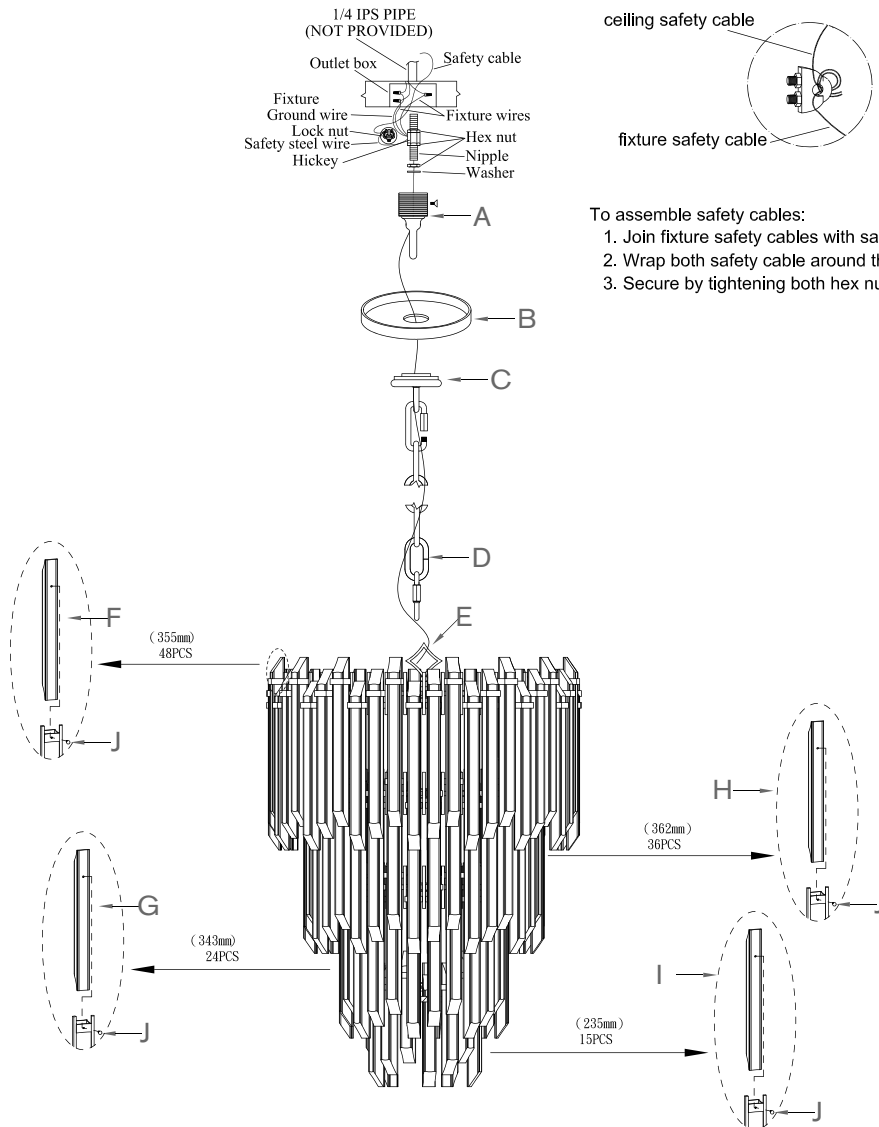
Item # SK5423

WE RECOMMEND INSTALLATION OF THIS LIGHTING FIXTURE BE DONE BY A LICENSED ELECTRICIAN.

WARNING * SWITCH OFF THE MAIN ELECTRICAL SUPPLY FROM THE MAIN FUSE BOX/CIRCUIT BREAKER BEFORE INSTALLATION.**

INSPECT ITEM CAREFULLY BEFORE ATTEMPTING TO INSTALL. IF THERE IS ANY DAMAGE OR OBVIOUS DEFECT, DO NOT INSTALL.

ITEM MAY NOT BE RETURNED ONCE IT HAS BEEN INSTALLED.



To assemble safety cables:

1. Join fixture safety cables with safety cable from ceiling.
2. Wrap both safety cable around the cable lock nut.
3. Secure by tightening both hex nuts until tight.

1. Carefully remove all parts from the carton.
2. Provide a 1/4" IPS pipe with one end securely mounted to beam or a structural. The other end should protrude through the enter of the outlet box as shown.
3. Attach chain (D) to top loop (E) by opening/closing end link of chain.
4. Attach chain (D) to mounting loop (A) by opening/closing end link of chain.
5. Unscrewing canopy ring (C) and slide canopy ring (C) and canopy (B) on the chain (D).
6. Insert top threaded nipple in mounting 1/4 IPS pipe.
7. Lace the fixture wires, ground wires and safety cable through the chain and mounting loop (A), exiting through the side of hickey. Run the safety cable through the top of the outlet box and secure to structural member.
8. Attach fixture steel safety cable to structural member in the ceiling.
9. Attach the bare copper ground from the fixture to the ground junction box wire (usually green or copper), fasten together with a plastic wire connector. Tighten wrap the wire connector with electrical tape. Be sure no wire strands are exposed. IT IS IMPERATIVE THAT THE OUTLET BOX IN YOUR HOME BE PROPERLY GROUNDED.
10. Connect neutral wire from fixture (ridges molded wire) to the neutral wire from the junction box (usually white). Fasten both wires together with a plastic wire connector and tightly wrap the wire connctor with electrical tape. Be sure no wire strands are exposed.
11. Connect the hot wires from the fixture (smooth wire) to the hot wire (usually black) from the junction box. Fasten each together with a plastic wire connctor and wrap the connection with eletrical tape.
DO NOT REVERSE THE HOT AND NEUTRAL CONNECTIONS
OTHERWISE SAFETY WILL BE COMPROMISED.

ASSEMBLY INSTRUCTIONS

Adele Three-Tier Waterfall Chandelier

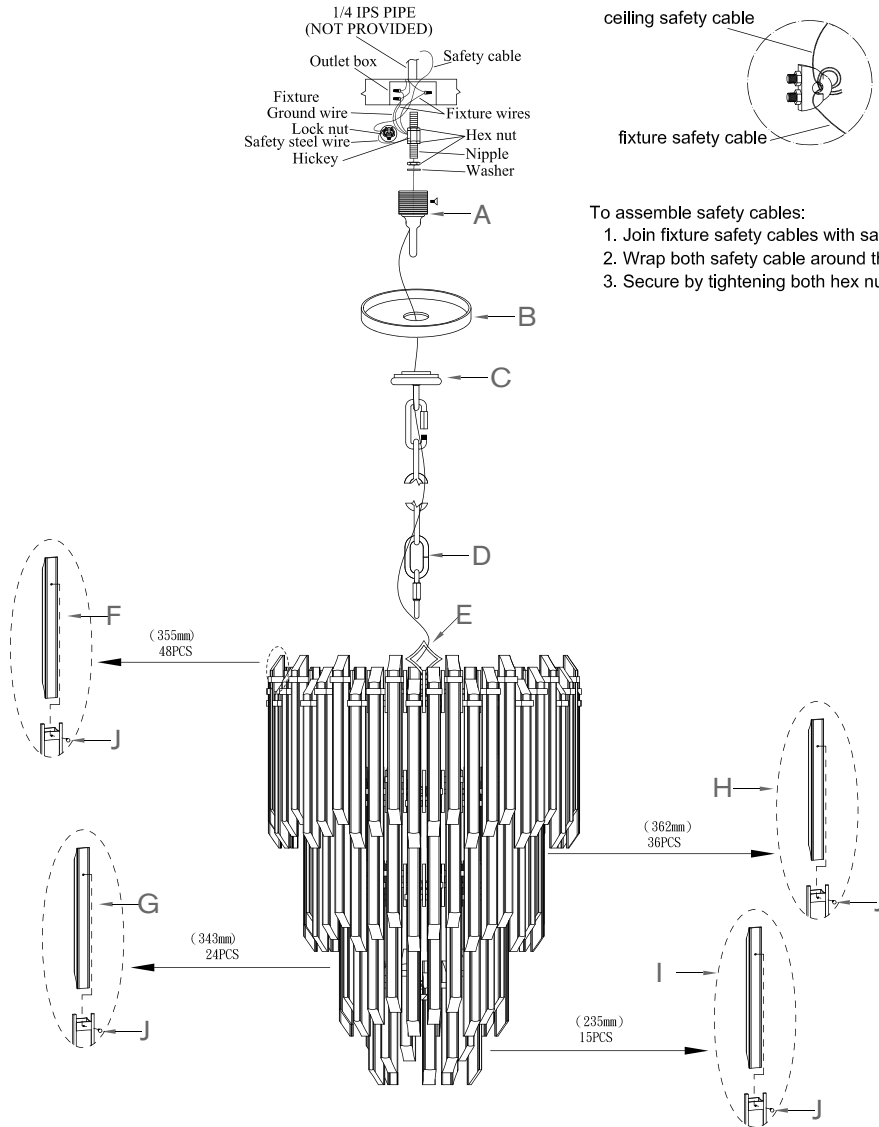
Item # SK5423

WE RECOMMEND INSTALLATION OF THIS LIGHTING FIXTURE BE DONE BY A LICENSED ELECTRICIAN.

WARNING * SWITCH OFF THE MAIN ELECTRICAL SUPPLY FROM THE MAIN FUSE BOX/CIRCUIT BREAKER BEFORE INSTALLATION.**

INSPECT ITEM CAREFULLY BEFORE ATTEMPTING TO INSTALL. IF THERE IS ANY DAMAGE OR OBVIOUS DEFECT, DO NOT INSTALL.

ITEM MAY NOT BE RETURNED ONCE IT HAS BEEN INSTALLED.



To assemble safety cables:

1. Join fixture safety cables with safety cable from ceiling.
2. Wrap both safety cable around the cable lock nut.
3. Secure by tightening both hex nuts until tight.

12. Tuck wire connections neatly into ceiling outlet box.

13. Slip canopy (B) to ceiling and secure with canopy ring (C).

14. Insert the specified light bulb into the socket.

15. Loosen set screws (J), insert the acrylic (F), (G), (H) & (I) to the light fixture by aligning the hole and secure by tightening set screws (J), make sure the location hole on side of crystal rods is on the upper side. Tighten by hand. DO NOT OVERTIGHTEN.

16. Restore power and test fixture. Installation is complete.

*** Clean with a dry, soft cloth only. Do not use harsh abrasives or chemical agents.