

# S2320

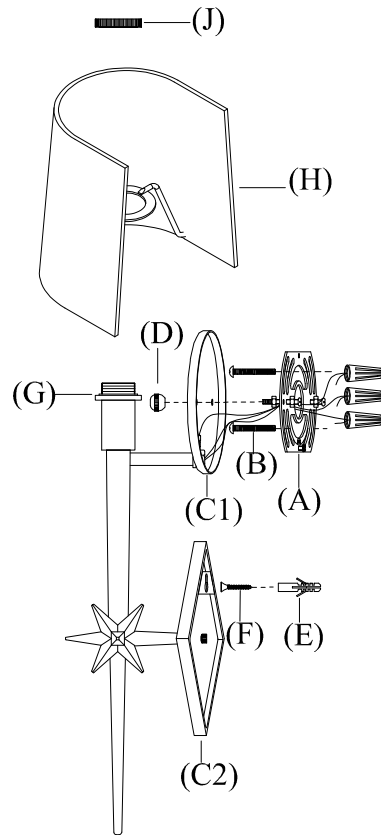
## ASSEMBLY & INSTALLATION GUIDE

**WE RECOMMEND INSTALLATION OF THIS LIGHTING FIXTURE BE DONE BY A LICENSED ELECTRICIAN.**

**WARNING \*\*\* SWITCH OFF THE MAIN ELECTRICAL SUPPLY FROM THE MAIN FUSE BOX/CIRCUIT BREAKER BEFORE INSTALLATION.**

**INSPECT ITEM CAREFULLY BEFORE ATTEMPTING TO INSTALL. IF THERE IS ANY DAMAGE OR OBVIOUS DEFECT, DO NOT INSTALL.**

**ITEM MAY NOT BE RETURNED ONCE IT HAS BEEN INSTALLED.**



1. Remove all parts from the box.
2. Remove cap nut (D) from the fixture base (C1).
3. Affix mounting plate (A) to wall outlet box with mounting screws (B) provided.
4. Insert top thread nipple in mounting plate (A).
5. Measure the distance from center hole of fixture base (C2) to the slot of key hole on backside of fixture base (C2).
6. Make a hole location on the wall the same distance from the center of wall outlet box. Make sure the hole location is vertical to the center of the wall outlet box.
7. Drill 1/8" holes into your location marks on the wall. For the hole:
  - If you encounter a wall stud, then drive a mounting screw (F) into the hole with a phillips screwdriver.
  - If you don't encounter a wall stud, drive a plastic anchor (E) into the hole with a phillips screwdriver.
8. Once the plastic anchor (E) is flush with the wall surface, drive a mounting screw (F) into the plastic anchor (E) using a phillips screwdriver.
  - In both case, leave approximately 1/8" of screw threads exposed.
9. Attach ground (green) wire to ground wire from wall outlet box (usually green or copper in color), fasten together with a plastic wire connector. Tightly wrap the wire connector with electrical tape so the end of the connector is sealed. **IT IS IMPERATIVE THAT THE OUTLET BOX IN YOUR HOME BE PROPERLY GROUNDED.**
10. Connect neutral (white) fixture wire coming from fixture base to neutral (usually white) outlet wire. Fasten both wires together with a plastic wire connector and tightly wrap the wire connector with electrical tape.
11. Repeat the procedure with the hot (black) wires. Always make sure that no wire strands are left outside the connectors. **DO NOT REVERSE THE HOT AND NEUTRAL CONNECTIONS OTHERWISE SAFETY WILL BE COMPROMISED.** Hook fixture base (C2) onto head of on screw (F), let the nipple on mounting plate pass through the center hole of fixture base (C1), and secure with cap nut (D).
12. Remove socket ring (J) from socket (G), place lamp shade (H) onto the threaded section of socket (G) and secure with socket ring (J).